

6

Floor installations



Uniform concrete floor systems



Covers for concrete floor, not water resistant



Covers for concrete floor, water resistant



Covers for raised floor, not water resistant



Flush floor trunking system



Accessories

UNIFORM CONCRETE FLOOR SYSTEMS**▶ VGI**

VGI28	Floor trunking with integrated ends	353
VGI38	Floor trunking with integrated ends	354
VGI48	Floor trunking with integrated ends	354

▶ VGLI

VGLI28	Floor trunking light integrated ends	355
VGLI38	Floor trunking light integrated ends	355
VGLI48	Floor trunking light integrated ends	356

▶ UNIFORM FLOOR SYSTEM

VSB	Rising / low elbow for floor trunking	356
VK	Joining piece for floor trunking	357
VE	End piece for floor trunking	357
NEO	Universal floorbox	358
VEVV	Form element	359
VEVVS	Inner layer square form element	359
VERV	Form element round	360
VERVS	Inner layer round form element	360
VEVP	Form element for polished concrete	361
VERP	Form element round for polished concrete	361

COVERS for CONCRETE FLOOR, not water resistant**▶ CARPET | LINOLEUM | VINYL**

BDVKK2	Blind cover rectangular, universal	366
KDVKK2	Hinged cover rectangular, universal	367
BDVKK3	Blind cover square, universal	368
KDVKK3	Hinged cover square, universal	369
BDRKK3	Blind cover round, universal	370
KDRKK3	Hinged cover round, universal	371

▶ PARQUET | TILE | EPOXY

KDVIT2	Hinged cover rectangular, Stainl. steel	372
KDVIRK2	Hinged cover rectangular, with border	373
KDVIT3	Hinged cover square, stainless steel	374
KDVITV3	Hinged cover square flat stainless steel	375
KDVIRK3	Hinged cover square, with border	376
DRIT3	Blind cover round with cable output	377

COVERS for CONCRETE FLOOR, water resistant**▶ TILE | EPOXY | POLISHED CONCRETE**

BDVITWD2	Blind cover rectangular, water resistant	382
BDVITWD3	Blind cover square, water resistant	383
DVITWD3	Tile-cassette square, water resistant	384
DVITWDV3	Tile-cassete square flat water resistant	385
KDVITWD3	Hinged cover square, water resistant	386
KDVITWDV3	Hinged cover square flat water resistant	387
BDRITWD3	Blind cover round, water resistant	388
DRITWD3	Cover round, watertight cable outlet	389
KUWDT	Tube for water resistant cable exit	390

COVERS for RAISED FLOOR, not water resistant**▶ CARPET | LINOLEUM | VINYL | PARQUET**

BDVKK2	Blind cover rectangular, universal	395
KDVKK2	Hinged cover rectangular, universal	396
KDVIRK2	Hinged cover rectangular, with border	397
BDVKK3	Blind cover square, universal	398
KDVKK3	Hinged cover square, universal	399
KDVIRK3	Hinged cover square, with border	400
BDRKK3	Blind cover round, universal	401
KDRKK3	Hinged cover round, universal	402

FLUSH FLOOR TRUNKING SYSTEM**▶ OVG**

OVG	Open flush floor trunking	407
OVGBP	Bottom plate for OVG450.4	407

▶ OVG COVER

DOVG	Cover for flush floor trunking	408
DOVGV.2	Cover for flush floor trunking	408
DOVGV.3	Cover for flush floor trunking	408
DOVGR.3	Cover for flush floor trunking	409

▶ OVG ACCESSORIES

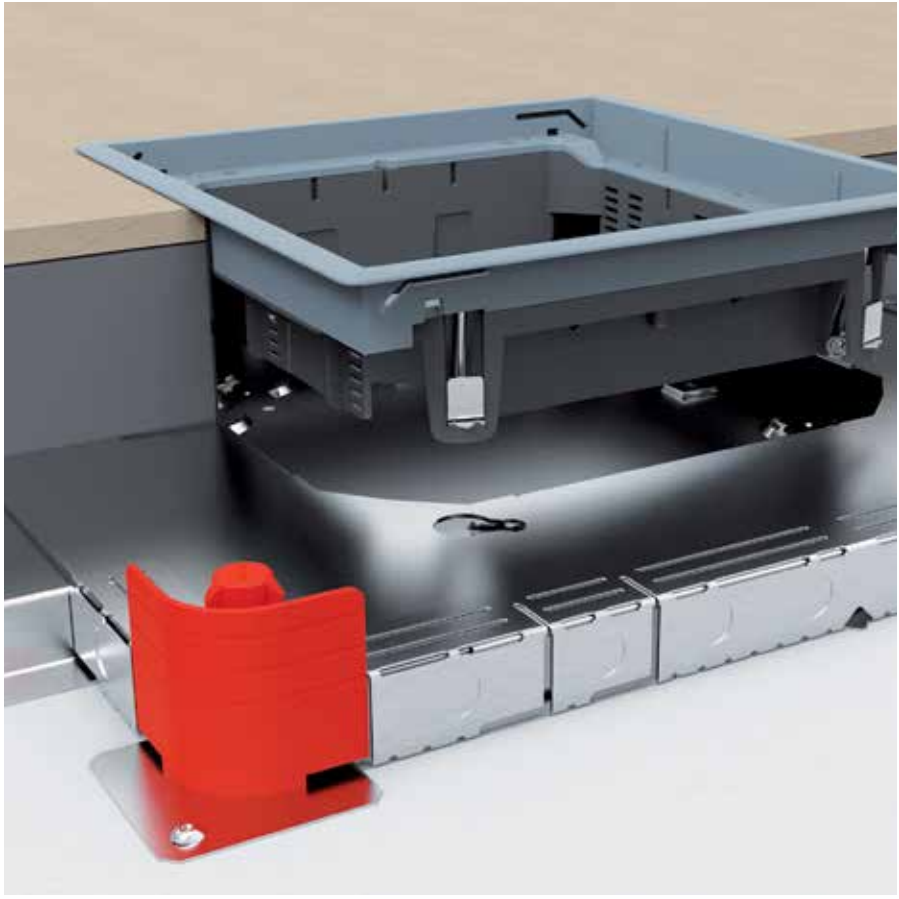
OVGB	Bend for flush floor trunking	409
OVGT	T-piece for flush floor trunking	409
OVGK	Cross piece for flush floor trunking	410
OVGE	End part for flush floor trunking	410
KDVKK2	Hinged cover rectangular, universal	411
KDVIRK2	Hinged cover rectangular, with border	412
KDVKK3	Hinged cover square, universal	413
KDVIRK3	Hinged cover square, with border	414
KDRKK3	Hinged cover round, universal	415
OVGZ	Universal side for flush floor trunking	416
OVGP	Extrusion profile flush floor trunking	416
OVGTR	Crossbar for flush floor trunking	416
OVGVST	Bottom for flush floor trunking	417
OVGAN	Screed anchor for flush floor trunking	417
OVGTAP	Carpet border for flush floor trunking	417
OVGHV	Connection angle for flush trunking	418
OVGEQ	Earth conductor clamp for flush trunking	418
OVGEQH	Earth conductor clamp for flush trunking	418
SLOS	Bolt-in partition	419
	TECHNICAL INFORMATION	421

ACCESSORIES

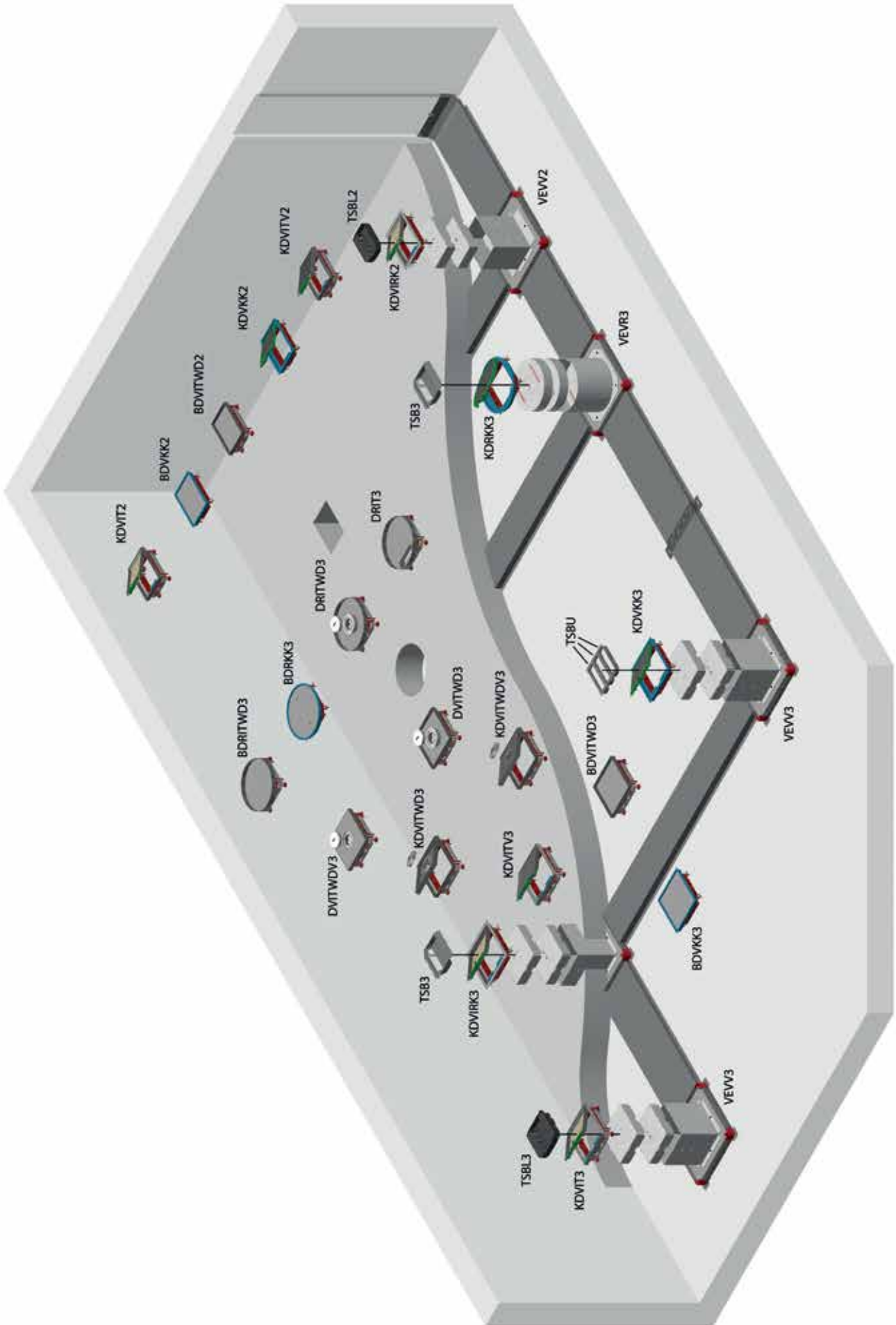
▶ ACCESSORIES

NEOT	Supporting Alu-frame	429
NEOAVT	Anchor base NEO	429
NEOTVT	Support NEOT	430
AM	Extension Nut	430
OHE	Packer floorcover	431
IOK	Filler edge for cover	431
KDVIZ	Kit for heavy load	432
BDVIZ	Kit for heavy load	432
TSBU	Apparatus cup universal	433
TSBU45	Apparatus cup 45	433
TSBU50	Apparatus cup 50	434
TSBUD	Apparatus cup angular	434
TSB	Triple apparatus cup	435
ADPU	Coverplate for TSBU	436
ADPUB	Baseplate for TSBU	436
ADSU	Cap	437
SSBU	Divider plate TSBU	437
IDP	Fixing plate ADPUD	438
GBP	Blind plate	438
TSBL	Low profile apparatus box	439
ASTSBL	Adapter piece Low profile apparatus box	439
MK	Silicon box	440
OV	Degreaser	440
	TECHNICAL INFORMATION	441

6 Floor installations



Uniform concrete floor systems

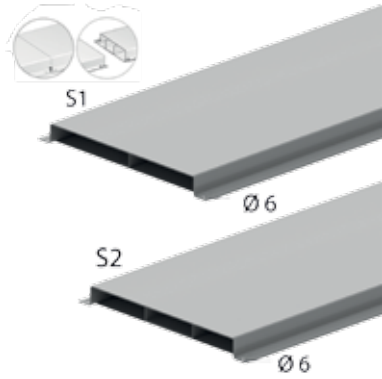


CONCRETE FLOOR SYSTEMS - FLOOR FINISH WITH CORRESPONDING HINGED COVERS

Floor finish		Material	Application	To standard	Depth of cover cut-out	Description	Code	Accessories	Compartments
NEO + VEVV3	Resin Vinyl Epoxy	Polypropylene RAL 7011 RAL 9011	Outlet	IP 20 / (IP 30)*	up to 12 mm	Hinged cover - square	KDVKK3	adjust the depth of floor covering with OHEV3.2 - OHEV3.5	max. 3 TSBU / 1 TSBL3
			Blind	IP 30		Blind cover - square	BDVKK3		
	Tile Wooden laminated Polished concrete Resin	Stainless steel 304	Outlet	IP 20 / (IP 30)*	up to 26 mm	Hinged cover - square	KDVIT3 / KDVITV3	KUWDT Tube	max. 3 TSBU / 1 TSBL3
			Blind	IP 53		Blind cover for tiled floor	BDVITWD3		
			Outlet	IP 23 / (IP 53)*		Hinged cover - square water resistant	KDVITWD3		
						Tile-cassette - square - water resistant	DVITWD3		
NEO + VEVV2	Carpet Vinyl Resin	Polypropylene RAL 7011 RAL 9011	Outlet	IP 20 / (IP 30)*	up to 12 mm	Hinged cover - rectangular	KDVKK2	adjust the depth of floor covering with OHEV2.2 - OHEV2.5	max. 2 TSBU / 1 TSBL2
			Blind	IP 30		Blind cover - rectangular	BDVKK2		
	Tile Wooden laminated Polished concrete Resin	Stainless steel 304	Outlet	IP 20 / (IP 30)*	up to 26 mm	Hinged cover - rectangular	KDVIT2		max. 2 TSBU / 1 TSBL2
						Blind cover for tiled floor	BDVITWD2		
			Outlet	IP 20 / (IP 30)*		Hinged cover - round	KDRKK3		
			Blind	IP 30		Blind cover - round	BDRKK3		
NEO + VERV3	Tile Wooden laminated Polished concrete Resin	Stainless steel 304	Outlet	IP 53	up to 26 mm	Blind cover for tiled floor	BDRITWD3	KUWDT Tube	max. 3 TSBU / 1 TSBL3
			Outlet	IP 23 / (IP 53)*		Hinged cover - round - water resistant	DRITWD3		

VGI28

Floor trunking with integrated ends



With 2 or 3 compartments.

Thickness cover	1,50 mm
Thickness trunk	1,00 mm
Standard finish	Pre-galvanised

HD	Reference	↑ mm	↔ mm	↔ mm	↔ mm	kg/m	📦	Stock	Unit
-	VGI28.170S1	28	170		3000	4.968	150		m
-	VGI28.170S2	28	170		3000	5.467	150		m
-	VGI28.250S1	28	250		3000	6.538	150		m
-	VGI28.250S2	28	250		3000	7.241	150		m
-	VGI28.350S1	28	350		3000	8.500	150		m
-	VGI28.350S2	28	350		3000	9.471	150		m

Tested according EN 50085-2-2.

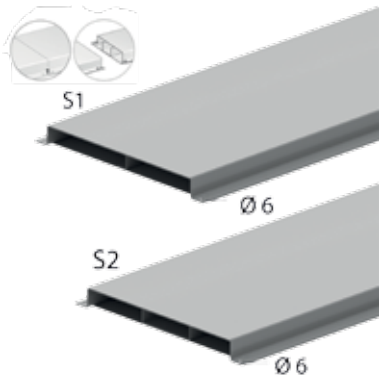
In total 16 predrilled fixing points available per length.

No additional pieces needed for equipotential connection.

The product is patented.

VGI38

Floor trunking with integrated ends



With 2 or 3 compartments.

Thickness cover	1,50 mm
Thickness trunk	1,00 mm
Standard finish	Pre-galvanised

HD	Reference	↑ mm	↔ mm	↔ mm	↔ mm	kg/m	📦	Stock	Unit
-	VGI38.170S1	38	170		3000	5.282	150		m
-	VGI38.170S2	38	170		3000	5.860	150		m
-	VGI38.250S1	38	250		3000	6.852	150		m
-	VGI38.250S2	38	250		3000	7.634	150	X	m
-	VGI38.350S1	38	350		3000	8.814	150		m
-	VGI38.350S2	38	350		3000	9.863	150	X	m

Tested according EN 50085-2-2.

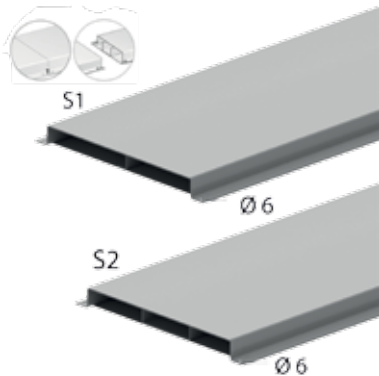
In total 16 predrilled fixing points available per length.

No additional pieces needed for equipotential connection.

The product is patented.

VGI48

Floor trunking with integrated ends



With 2 or 3 compartments.

Thickness cover	1,50 mm
Thickness trunk	1,00 mm
Standard finish	Pre-galvanised

HD	Reference	↑ mm	↔ mm	↔ mm	↔ mm	kg/m	📦	Stock	Unit
-	VGI48.170S1	48	170		3000	5.596	150		m
-	VGI48.170S2	48	170		3000	6.252	150		m
-	VGI48.250S1	48	250		3000	7.166	150		m
-	VGI48.250S2	48	250		3000	8.026	150		m
-	VGI48.350S1	48	350		3000	9.128	150		m
-	VGI48.350S2	48	350		3000	10.256	150		m

Tested according EN 50085-2-2.

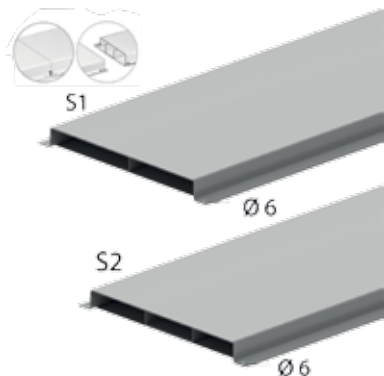
In total 16 predrilled fixing points available per length.

No additional pieces needed for equipotential connection.

The product is patented.

VGLI28

Floor trunking light integrated ends



With 2 or 3 compartments.

Thickness cover	1,00 mm
Thickness trunk	1,00 mm
Standard finish	Pre-galvanised

HD	Reference	↓ mm	↔ mm	→ ← mm	↔↔ mm	kg/m	⊞	Stock	Unit
-	VGLI28.170S1	28	170		3000	3.976	150		m
-	VGLI28.170S2	28	170		3000	4.475	150		m
-	VGLI28.250S1	28	250		3000	5.232	150	X	m
-	VGLI28.250S2	28	250		3000	5.935	150		m
-	VGLI28.350S1	28	350		3000	6.802	150		m
-	VGLI28.350S2	28	350		3000	7.772	150	X	m

Tested according EN 50085-2-2.

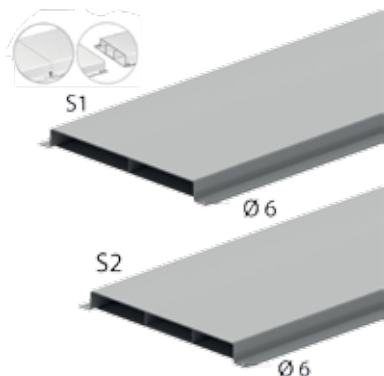
In total 16 predrilled fixing points available per length.

No additional pieces needed for equipotential connection.

The product is patented.

VGLI38

Floor trunking light integrated ends



With 2 or 3 compartments.

Thickness cover	1,00 mm
Thickness trunk	1,00 mm
Standard finish	Pre-galvanised

HD	Reference	↓ mm	↔ mm	→ ← mm	↔↔ mm	kg/m	⊞	Stock	Unit
-	VGLI38.170S1	38	170		3000	4.211	150		m
-	VGLI38.170S2	38	170		3000	4.789	150		m
-	VGLI38.250S1	38	250		3000	5.467	150	X	m
-	VGLI38.250S2	38	250		3000	6.249	150		m
-	VGLI38.350S1	38	350		3000	7.037	150		m
-	VGLI38.350S2	38	350		3000	8.086	150	X	m

Tested according EN 50085-2-2.

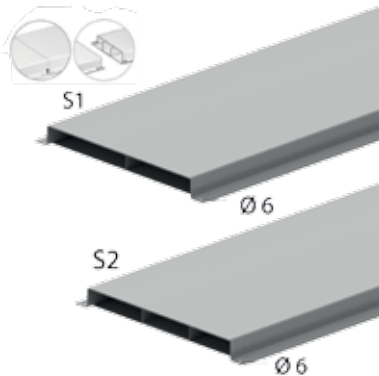
In total 16 predrilled fixing points available per length.

No additional pieces needed for equipotential connection.

The product is patented.

VGLI48

Floor trunking light integrated ends



With 2 or 3 compartments.

Thickness cover	1,00 mm
Thickness trunk	1,00 mm
Standard finish	Pre-galvanised

HD	Reference	↑ mm	↔ mm	↔ mm	↔ mm	kg/m	📦	Stock	Unit
-	VGLI48.170S1	48	170		3000	4.447	150		m
-	VGLI48.170S2	48	170		3000	5.103	150		m
-	VGLI48.250S1	48	250		3000	5.703	150		m
-	VGLI48.250S2	48	250		3000	6.563	150		m
-	VGLI48.350S1	48	350		3000	7.273	150		m
-	VGLI48.350S2	48	350		3000	8.400	150		m

Tested according EN 50085-2-2.

In total 16 predrilled fixing points available per length.

No additional pieces needed for equipotential connection.

The product is patented.

VSB

Rising / low elbow for floor trunking



With 2 or 3 compartments.

Standard finish	Pre-galvanised
-----------------	----------------

HD	Reference	↑ mm	↔ mm	↔ mm	↔ mm	kg/ piece	📦	Stock	Unit
-	VSB28.170S1	28	170		-	0.600	1		piece
-	VSB28.170S2	28	170		-	0.650	1		piece
-	VSB28.250S1	28	250		-	0.750	1		piece
-	VSB28.250S2	28	250		-	0.800	1		piece
-	VSB28.350S1	28	350		-	1.000	1		piece
-	VSB28.350S2	28	350		-	1.050	1		piece
-	VSB38.170S1	38	170		-	0.600	1		piece
-	VSB38.170S2	38	170		-	0.650	1		piece
-	VSB38.250S1	38	250		-	0.800	1		piece
-	VSB38.250S2	38	250		-	0.850	1		piece
-	VSB38.350S1	38	350		-	1.000	1		piece
-	VSB38.350S2	38	350		-	1.100	1		piece
-	VSB48.170S1	48	170		-	0.600	1		piece
-	VSB48.170S2	48	170		-	0.700	1		piece
-	VSB48.250S1	48	250		-	0.750	1		piece
-	VSB48.250S2	48	250		-	0.850	1		piece
-	VSB48.350S1	48	350		-	1.050	1		piece
-	VSB48.350S2	48	350		-	1.150	1		piece

Tested according EN 50085-2-2.

To connect the galvanised floor trunking with a rising trunking.

Also useful as a low piece.

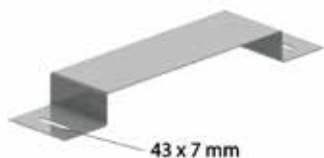
VK

Joining piece for floor trunking

To couple two trunkings.

Standard finish

Pre-galvanised



HD	Reference	↑ mm	↔ mm	→ ← mm	↔ mm	kg/ piece	📦	Stock	Unit
-	VK28.170	28	170		-	0.266	12	X	piece
-	VK28.250	28	250		-	0.331	12	X	piece
-	VK28.350	28	350		-	0.411	12	X	piece
-	VK38.170	38	170		-	0.282	12	X	piece
-	VK38.250	38	250		-	0.347	12	X	piece
-	VK38.350	38	350		-	0.427	12	X	piece
-	VK48.170	48	170		-	0.298	12	X	piece
-	VK48.250	48	250		-	0.363	12	X	piece
-	VK48.350	48	350		-	0.443	12	X	piece

Tested according EN 50085-2-2.

To order per full packaging.

VE

End piece for floor trunking



Standard finish

Pre-galvanised

HD	Reference	↑ mm	↔ mm	→ ← mm	↔ mm	kg/ piece	📦	Stock	Unit
-	VE28.170	30	165		-	0.080	1		piece
-	VE28.250	30	245		-	0.110	1		piece
-	VE28.350	30	345		-	0.160	1		piece
-	VE38.170	40	165		-	0.100	1		piece
-	VE38.250	40	245		-	0.140	1		piece
-	VE38.350	40	345		-	0.180	1		piece
-	VE48.170	50	165		-	0.110	1		piece
-	VE48.250	50	245		-	0.160	1		piece
-	VE48.350	50	345		-	0.220	1		piece

Tested according EN 50085-2-2.

NEO

Universal floorbox



For all widths and heights of floor trunkings.
For square, rectangular and round cover set.

Standard finish

Pre-galvanised

HD	Reference	↕ mm	↔ mm	↔ mm	↔ mm	kg/ piece	📦	Stock	Unit
-	NEO	48	490		490	4.150	1	X	piece

Tested to EN 50085-2-2.

Side panels are equipped with break-away surfaces for Ø 16 mm for assembly with floor trunking.

Provided with 4 alignment marks.

Bottom plate is provided with earthing clamp.

Height is adjustable to suit the height of trunking, 28, 38 or 48 mm.

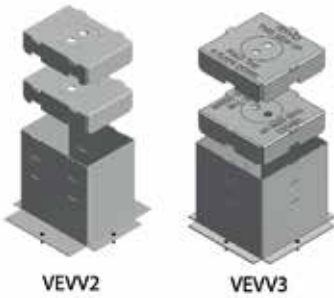
Side panels are cut and folded to suit the width of the trunking.

A form element, type VEVV or VERV, is required to install the floor box.

Minimum height of the screed: 65mm

VEVV

Form element



Delivered with reinforcing plates.

Standard finish Polypropylene

HD	Reference	↑ mm	↔ mm	↔ mm	↔ mm	kg/ piece	📦	Stock	Unit
-	VEVV2	250	190		270	0.700	12	X	piece
-	VEVV3	250	270		270	0.800	12	X	piece

Standard height: 137 mm on top of the NEO.

For additional height: extra form elements required (height 68mm/piece): VEVV2:

VEVVS2, VEVV3:

VEVVS3.

Height screed: max. 298 mm

VEVV2: For rectangular cover set

- BDVKK2
- KDVKK2
- KDVIT2
- KDVIRK2
- BDVITWD2

VEVV3: For square cover set

- BDVKK3
- KDVKK3
- KDVIT3, KDVITV3
- KDVIRK3
- BDVITWD3
- KDVITWD3, KDVITWDV3
- DVITWD3, DVITWDV3

VEVVS

Inner layer square form element



Standard finish Polypropylene

HD	Reference	↑ mm	↔ mm	↔ mm	↔ mm	kg/ piece	📦	Stock	Unit
-	VEVVS2	-			-	0.250	10	X	piece
-	VEVVS3	-			-	0.250	10	X	piece

VERV

Form element round



Standard finish

Polypropylene

HD	Reference	↑ mm	↔ mm	↔ mm	↔ mm	kg/ piece	📦	Stock	Unit
-	VERV3	250	330		330	0.900	12	X	piece

Standard height: 130 mm on top of the NEO.

For additional height: extra form elements required (height 65 mm/piece): VERVS3.

Height screed: max. 298 mm

VERV3: For round cover set

- BDRKK3
- KDRKK3
- BDRITWD3
- DRITWD3
- DRIT3

VERVS

Inner layer round form element



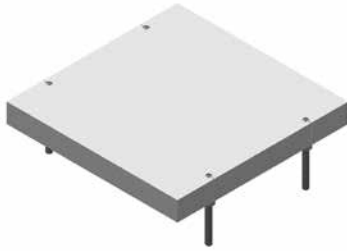
Standard finish

Polypropylene

HD	Reference	↑ mm	↔ mm	↔ mm	↔ mm	kg/ piece	📦	Stock	Unit
-	VERVS3	-			-	0.250	6	X	piece

VEVP

Form element for polished concrete



To be fixed with the NEOT, VEVV, NEO.

Standard finish

expanded polystyrene

HD	Reference	↑ mm	↔ mm	↔ mm	↔ mm	kg/ piece	📦	Stock	Unit
-	VEVP2	-	189		264	0.211	1		piece
-	VEVP3	-	264		264	0.231	1	X	piece

Mounted on the NEOT3 that is supplied with the cover at walking floor height.

VEVP2: For rectangular cover set

- KDVIT2
- BDVITWD2

VEVP3: For square cover set

- KDVIT3, KDVITV3
- BDVITWD3
- KDVITWD3, KDVITWDV3
- DVITWD3, DVITWDV3

VERP

Form element round for polished concrete



Standard finish

expanded polystyrene

HD	Reference	↑ mm	↔ mm	↔ mm	↔ mm	kg/ piece	📦	Stock	Unit
-	VERP3	-			-	0.244	1		piece
Fix with:									
-	NEOT	-	-	-	-	-	-		-

To be fixed with the NEOT, VERV, NEO.

For round cover set

- BDRITWD3
- DRITWD3
- DRIT3

6 Floor installations



Covers for concrete floor, not water resistant

SELECTION TABLE FOR FLOOR INSTALLATIONS

1. CONCRETE FLOOR SYSTEMS

Description	Floor trunking = Height 28 mm			Floor trunking = Height 38 mm			Floor trunking = Height 48 mm			
	2 / 3 compartments									
	Width	2	3	2	3	2	3	2	3	
Floor trunking with integrated ends	170	VGI28.170S1	VGI28.170S2	VGI38.170S1	VGI38.170S2	VGI48.170S1	VGI48.170S2	VGI48.170S1	VGI48.170S2	
	250	VGI28.250S1	VGI28.250S2	VGI38.250S1	VGI38.250S2	VGI48.250S1	VGI48.250S2	VGI48.250S1	VGI48.250S2	
	350	VGI28.350S1	VGI28.350S2	VGI38.350S1	VGI38.350S2	VGI48.350S1	VGI48.350S2	VGI48.350S1	VGI48.350S2	
Light duty floor trunking with integrated ends	170	VGLI28.170S1	VGLI28.170S2	VGLI38.170S1	VGLI38.170S2	VGLI48.170S1	VGLI48.170S2	VGLI48.170S1	VGLI48.170S2	
	250	VGLI28.250S1	VGLI28.250S2	VGLI38.250S1	VGLI38.250S2	VGLI48.250S1	VGLI48.250S2	VGLI48.250S1	VGLI48.250S2	
	350	VGLI28.350S1	VGLI28.350S2	VGLI38.350S1	VGLI38.350S2	VGLI48.350S1	VGLI48.350S2	VGLI48.350S1	VGLI48.350S2	
Accessories	Width	2	3	2	3	2	3	2	3	
	Rising bend	170	VSB28.170S1	VSB28.170S2	VSB38.170S1	VSB38.170S2	VSB48.170S1	VSB48.170S2	VSB48.170S1	VSB48.170S2
		250	VSB28.250S1	VSB28.250S2	VSB38.250S1	VSB38.250S2	VSB48.250S1	VSB48.250S2	VSB48.250S1	VSB48.250S2
	350	VSB28.350S1	VSB28.350S2	VSB38.350S1	VSB38.350S2	VSB48.350S1	VSB48.350S2	VSB48.350S1	VSB48.350S2	
End piece	170	VE28.170	VE38.170	VE48.170	VE48.170	VE48.170	VE48.170	VE48.170	VE48.170	
	250	VE28.250	VE38.250	VE48.250	VE48.250	VE48.250	VE48.250	VE48.250	VE48.250	
	350	VE28.350	VE38.350	VE48.350	VE48.350	VE48.350	VE48.350	VE48.350	VE48.350	

BDVKK2

Blind cover rectangular, universal



Color	Grey RAL 7011 / Black RAL 9011
Max. load	1500 N (small surface area)
Max. load	2000 N (large surface area)
Non-active condition	IP 30
Depth of floor covering	Min. 5 mm - Max. 12 mm
Thickness steel plate	3 mm
Standard finish	Polypropylene

HD	Reference	↑ mm	↔ mm	↔ mm	↔ mm	kg/ piece	📦	Stock	Unit
-	BDVKK2.5-7011	-	192		267	1.750	6	X	piece
-	BDVKK2.5-9011	-	192		267	1.750	6	X	piece

Tested to EN 50085-2-2.

Standard depth of floor covering is 5 mm and can be reduced by fitting packers OHEVB2.2 and/or OHEVB2.5.

Can be fixed through included universal clamps in screed floor.

For use in dry floors only.

KDVKK2

Hinged cover rectangular, universal



Build-in frame + hinged cover + cable outlet unit

Color	Grey RAL 7011 / Black RAL 9011
Max. load	1500 N (small surface area)
Max. load	2000 N (large surface area)
Active condition	IP 20
Non-active condition	IP 30
Depth of floor covering	Min. 5 mm - Max. 12 mm
Thickness steel plate	3 mm
Standard finish	Polypropylene

HD	Reference	↓ mm	↔ mm	→ ← mm	↔ mm	kg/ piece	📦	Stock	Unit
-	KDVKK2.5-7011	-	192		267	1.650	6	X	piece
-	KDVKK2.5-9011	-	192		267	1.650	6	X	piece

Tested to EN 50085-2-2.

Hinged cover for 2 compartments.

Standard depth of floor covering is 5 mm and can be reduced by fitting packers OHEV2.2 and/or OHEV2.5.

Can be fixed through included universal clamps in screed floor.

Hinged cover is provided with 1 cable outlet with integrated push lever and cable organiser.

Hinged cover must not be earthed.

For use in dry floors only.

BDVKK3

Blind cover square, universal



Color	Grey RAL 7011 / Black RAL 9011
Max. load	1500 N (small surface area)
Max. load	2000 N (large surface area)
Non-active condition	IP 30
Depth of floor covering	Min. 5 mm - Max. 12 mm
Thickness steel plate	3 mm
Standard finish	Polypropylene

HD	Reference	↑ mm	↔ mm	↔ mm	↔ mm	kg/ piece	📦	Stock	Unit
-	BDVKK3.5-7011	-	267		267	2.300	6	X	piece
-	BDVKK3.5-9011	-	267		267	2.300	6	X	piece

Tested to EN 50085-2-2.

Standard depth of floor covering is 5 mm and can be reduced by fitting packers OHEVB3.2 and/or OHEVB3.5.

Can be fixed through included universal clamps in screed floor.

For use in dry floors only.

KDVKK3

Hinged cover square, universal



Build-in frame + hinged cover + cable outlet unit

Color	Grey RAL 7011 / Black RAL 9011
Max. load	1500 N (small surface area)
Max. load	2000 N (large surface area)
Active condition	IP 20
Non-active condition	IP 30
Depth of floor covering	Min. 5 mm - Max. 12 mm
Thickness steel plate	3 mm
Standard finish	Polypropylene

HD	Reference	↓ mm	↔ mm	↔ mm	↔ mm	kg/ piece	📦	Stock	Unit
-	KDVKK3.5-7011	-	267		267	2.200	6	X	piece
-	KDVKK3.5-9011	-	267		267	2.200	6	X	piece

Tested to EN 50085-2-2.

Hinged cover for 3 compartments.

Standard depth of floor covering is 5 mm and can be reduced by fitting packers OHEV3.2 and/or OHEV3.5.

Can be fixed through included universal clamps in screed floor.

Hinged cover is provided with 2 cable outlets with integrated push lever and 2 cable organisers.

Hinged cover must not be earthed.

For use in dry floors only.

BDRKK3

Blind cover round, universal



Color	Grey RAL 7011 / Black RAL 9011
Max. load	1500 N (small surface area)
Max. load	2000 N (large surface area)
Non-active condition	IP 30
Depth of floor covering	Min. 5 mm - Max. 12 mm
Thickness steel plate	3 mm
Standard finish	Polypropylene

HD	Reference	↑ mm	↔ mm	↔ mm	↔ mm	kg/ piece	📦	Stock	Unit
-	BDRKK3.5-7011	-	327		327	2.400	6	X	piece
-	BDRKK3.5-9011	-	327		327	2.400	6		piece

Tested to EN 50085-2-2.

Standard depth of floor covering is 5 mm and can be reduced by fitting packers OHER3.2 and/or OHER3.5.

Can be fixed through included universal clamps in screed floor.

For use in dry floors only.

KDRKK3

Hinged cover round, universal



Build-in frame + hinged cover + cable outlet unit

Color Grey RAL 7011 / Black RAL 9011

Max. load 1500 N (small surface area)

Max. load 2000 N (large surface area)

Active condition IP 20

Non-active condition IP 30

Depth of floor covering Min. 5 mm - Max. 12 mm

Thickness steel plate 3 mm

Standard finish Polypropylene

HD	Reference	↓ mm	↔ mm	→ ← mm	↔ mm	kg/ piece	📦	Stock	Unit
-	KDRKK3.5-7011	-	327		327	2.450	6	X	piece
-	KDRKK3.5-9011	-	327		327	2.450	6	X	piece

Tested to EN 50085-2-2.

Hinged cover for 3 compartments.

Standard depth of floor covering is 5 mm and can be reduced by fitting packers OHER3.2 and/or OHER3.5.

Can be fixed through included universal clamps in screed floor.

Hinged cover is provided with 2 cable outlets with integrated push lever and 2 cable organisers.

Hinged cover must not be earthed.

For use in dry floors only.

KDVIT2

Hinged cover rectangular, Stainl. steel



Build-in frame + tileframe + cable outlet + alu frame

Max. load	2000 N (small surface area)
Max. load	3000 N (large surface area)
Active condition	IP 20
Non-active condition	IP 30
Depth of floor covering	Max. 26 mm
Standard finish	Stainless Steel 304

HD	Reference	↑ mm	↔ mm	→ ← mm	↔ mm	kg/ piece	📦	Stock	Unit
-	KDVIT2	-	192		267	2.500	1	X	piece

Tested to EN 50085-2-2.

Hinged cover for 2 compartments.

Depth of floor covering can be reduced by fitting packers OHEV2.2 and/or OHEV2.5.

Can be leveled by adjusting 4 bolts on included alu-frame NEOT2.

Hinged cover is provided with 1 cable outlet with integrated push lever and cable organiser.

Hinged cover is provided with an earthing strip between cover and frame.

A reinforcement kit KDVIZ2 is available to support heavy loads.

For use in dry floors only.

KDVIRK2

Hinged cover rectangular, with border



Build-in frame with border + tileframe + cable outlet

Max. load 2000 N (small surface area)

Max. load 3000 N (large surface area)

Active condition IP 20

Non-active condition IP 30

Depth of floor covering Max. 26 mm

Standard finish Stainless Steel 304

HD	Reference	↓ mm	↔ mm	→ ← mm	↔ mm	kg/ piece	📦	Stock	Unit
-	KDVIRK2	-	192		267	2.125	1	X	piece

Tested to EN 50085-2-2.

Hinged cover for 2 compartments.

Depth of floor covering can be reduced by fitting packers OHEV2.2 and/or OHEV2.5

Can be fixed through included universal clamps in screed floor.

Hinged cover is provided with 1 cable outlet with integrated push lever and cable organiser.

Hinged cover is provided with an earthing strip between cover and frame.

A reinforcement kit KDVIZ2 is available to support heavy loads.

For use in dry floors only.

KDVIT3

Hinged cover square, stainless steel



Build-in frame + tileframe + cable outlet + alu frame

Max. load 2000 N (small surface area)

Max. load 3000 N (large surface area)

Active condition IP 20

Non-active condition IP 30

Depth of floor covering Max. 26 mm

Standard finish Stainless Steel 304

HD	Reference	↑ mm	↔ mm	↔ mm	↔ mm	kg/ piece	📦	Stock	Unit
-	KDVIT3	-	267		267	3.100	1	X	piece

Tested to EN 50085-2-2.

Hinged cover for 3 compartments.

Depth of floor covering can be reduced by fitting packers OHEV3.2 and/or OHEV3.5.

Can be leveled by adjusting 4 bolts on included alu-frame NEOT3.

Hinged cover is provided with 2 cable outlets with integrated push lever and 2 cable organisers.

Hinged cover is provided with an earthing strip between cover and frame.

A reinforcement kit KDVIZ3 is available to support heavy loads.

For use in dry floors only.

KDVITV3

Hinged cover square flat stainless steel



Build-in frame + tileframe + cable outlet + alu frame

Max. load 2000 N (small surface area)

Max. load 3000 N (large surface area)

Active condition IP 20

Non-active condition IP 30

Depth of floor covering Flat

Standard finish Stainless Steel 304

HD	Reference	↓ mm	↔ mm	↔ mm	↔ mm	kg/ piece	📦	Stock	Unit
-	KDVITV3	-	267		267	3.350	1	X	piece

Tested to EN 50085-2-2.

Hinged cover for 3 compartments.

Can be leveled by adjusting 4 bolts on included alu-frame NEOT3.

Hinged cover is provided with 2 cable outlets with integrated push lever and 2 cable organisers.

Hinged cover is provided with an earthing strip between cover and frame.

For use in dry floors only.

KDVIRK3

Hinged cover square, with border



Build-in frame with border + tileframe + cable outlet

Max. load 2000 N (small surface area)

Max. load 3000 N (large surface area)

Active condition IP 20

Non-active condition IP 30

Depth of floor covering Max. 26 mm

Standard finish Stainless Steel 304

HD	Reference	↑ mm	↔ mm	→ ← mm	↔ mm	kg/ piece	📦	Stock	Unit
-	KDVIRK3	-	267		267	2.675	1	X	piece

Tested to EN 50085-2-2.

Hinged cover for 3 compartments.

Depth of floor covering can be reduced by fitting packers OHEV3.2 and/or OHEV3.5

Can be fixed through included universal clamps in screed floor.

Hinged cover is provided with 2 cable outlets with integrated push lever and 2 cable organisers.

Hinged cover is provided with an earthing strip between cover and frame.

A reinforcement kit KDVIZ3 is available to support heavy loads.

For use in dry floors only.

DRIT3

Blind cover round with cable output



Build-in frame + tileframe + cable outlet + alu frame

Max. load 2000 N (small surface area)

Max. load 3000 N (large surface area)

Active condition IP 20

Non-active condition IP 30

Depth of floor covering Max. 26 mm

Standard finish Stainless Steel 304

HD	Reference	↓ mm	↔ mm	↔ mm	↔ mm	kg/ piece	📦	Stock	Unit
-	DRIT3	-	327		327	2.825	1	X	piece

Tested to EN 50085-2-2.

Cover for 3 compartments.

Can be leveled by adjusting 4 bolts on included alu-frame NEOT3.

Cover is provided with 1 cable outlets with integrated push lever and cable organiser.
Cover is provided with an earthing strip between cover and frame.

For use in dry floors only.

6 Floor installations



Covers for concrete floor, water resistant

SELECTION TABLE FOR FLOOR INSTALLATIONS

1. CONCRETE FLOOR SYSTEMS

Description	Floor trunking = Height 28 mm			Floor trunking = Height 38 mm			Floor trunking = Height 48 mm		
	2 / 3 compartments								
	Width	2	3	2	3	2	3	2	3
Floor trunking with integrated ends	170 250 350	VGI28.170S1 VGI28.250S1 VGI28.350S1	VGI28.170S2 VGI28.250S2 VGI28.350S2	VGI38.170S1 VGI38.250S1 VGI38.350S1	VGI38.170S2 VGI38.250S2 VGI38.350S2	VGI48.170S1 VGI48.250S1 VGI48.350S1	VGI48.170S2 VGI48.250S2 VGI48.350S2	VGI48.170S1 VGI48.250S1 VGI48.350S1	VGI48.170S2 VGI48.250S2 VGI48.350S2
Light duty floor trunking with integrated ends	170 250 350	VGLI28.170S1 VGLI28.250S1 VGLI28.350S1	VGLI28.170S2 VGLI28.250S2 VGLI28.350S2	VGLI38.170S1 VGLI38.250S1 VGLI38.350S1	VGLI38.170S2 VGLI38.250S2 VGLI38.350S2	VGLI48.170S1 VGLI48.250S1 VGLI48.350S1	VGLI48.170S2 VGLI48.250S2 VGLI48.350S2	VGLI48.170S1 VGLI48.250S1 VGLI48.350S1	VGLI48.170S2 VGLI48.250S2 VGLI48.350S2
Accessories	Width	2	3	2	3	2	3	2	3
Rising bend	170 250 350	VSB28.170S1 VSB28.250S1 VSB28.350S1	VSB28.170S2 VSB28.250S2 VSB28.350S2	VSB38.170S1 VSB38.250S1 VSB38.350S1	VSB38.170S2 VSB38.250S2 VSB38.350S2	VSB48.170S1 VSB48.250S1 VSB48.350S1	VSB48.170S2 VSB48.250S2 VSB48.350S2	VSB48.170S1 VSB48.250S1 VSB48.350S1	VSB48.170S2 VSB48.250S2 VSB48.350S2
End piece	170 250 350	VE28.170 VE28.250 VE28.350	VE38.170 VE38.250 VE38.350	VE48.170 VE48.250 VE48.350	VE48.170 VE48.250 VE48.350	VE48.170 VE48.250 VE48.350	VE48.170 VE48.250 VE48.350	VE48.170 VE48.250 VE48.350	VE48.170 VE48.250 VE48.350

BDVITWD2

Blind cover rectangular, water resistant



Max. load	2000 N (small surface area)
Max. load	3000 N (large surface area)
Non-active condition	IP 53
Depth of floor covering	Max. 26 mm
Standard finish	Stainless Steel 304

HD	Reference	↑ mm	↔ mm	↔ mm	↔ mm	kg/ piece	📦	Stock	Unit
-	BDVITWD2	-	192		267	2.250	1	X	piece

Tested to EN 50085-2-2.

Depth of floor covering can be reduced by fitting packers OHEVB2.2 and OHEVB2.5.

Can be leveled by adjusting 4 bolts on included alu-frame NEOT2.

Mounting without hinges.

Cover can be mounted into cover frame in 2 directions.

A reinforcement kit BDVIZ2 is available to support heavy loads.

Ideal for wet areas.

BDVITWD3

Blind cover square, water resistant



Max. load	2000 N (small surface area)
Max. load	3000 N (large surface area)
Non-active condition	IP 53
Depth of floor covering	Max. 26 mm
Standard finish	Stainless Steel 304

HD	Reference	↓ mm	↔ mm	↔ mm	↔ mm	kg/ piece	📦	Stock	Unit
-	BDVITWD3	-	267		267	2.750	1	X	piece

Tested to EN 50085-2-2.

Depth of floor covering can be reduced by fitting packers OHEVB3.2 and/or OHEVB3.5.

Can be leveled by adjusting 4 bolts on included alu-frame NEOT3.

Mounting without hinges.

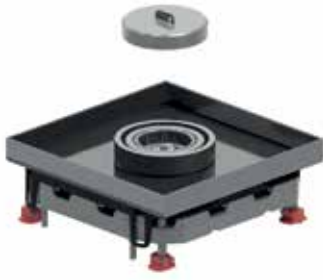
Cover can be mounted into cover frame in 4 directions.

A reinforcement kit is available to support heavy loads BDVIZ3.

Ideal for wet areas.

DVITWD3

Tile-cassette square, water resistant



Build-in frame + tileframe + water resistant cable outlet + alu frame + tube cover key

Max. load 2000 N (small surface area)

Max. load 3000 N (large surface area)

Active condition IP 23

Non-active condition IP 53

Depth of floor covering Max. 26 mm

Standard finish Stainless Steel 304

HD	Reference	↑ mm	↔ mm	↔ mm	↔ mm	kg/ piece	📦	Stock	Unit
-	DVITWD3	-	267		267	3.100	1	X	piece

Tested to EN 50085-2-2.

Cover for 3 compartments.

Can be leveled by adjusting 4 bolts on included alu-frame NEOT3.

Mounting without hinges.

Cover can be mounted into cover frame in 4 directions.

Cover is provided with a watertight cable exit and an aluminium screwcover. This can be extended with a cable exit tube (KUWDT) which guarantees watertightness when in use. Cover is provided with an earthing strip between cover and frame.

Ideal for wet areas.

DVITWDV3

Tile-cassete square flat water resistant



Build-in frame + tileframe + water resistant cable outlet + alu frame + tube cover key

Max. load 2000 N (small surface area)

Max. load 3000 N (large surface area)

Active condition IP 23

Non-active condition IP 53

Depth of floor covering Flat

Standard finish Stainless Steel 304

HD	Reference	↓ mm	↔ mm	↔ mm	↔ mm	kg/ piece	📦	Stock	Unit
-	DVITWDV3	-	267		267	4.800	1	X	piece

Tested to EN 50085-2-2.

Cover for 3 compartments.

Can be leveled by adjusting 4 bolts on included alu-frame NEOT3.

Mounting without hinges.

Cover can be mounted into cover frame in 4 directions.

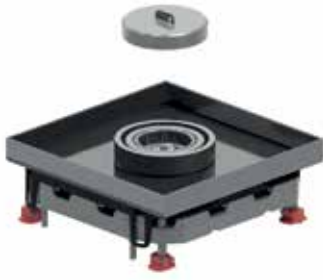
Cover is provided with a watertight cable exit and an aluminium screwcover. This can be extended with a cable exit tube (KUWDT) which guarantees watertightness when in use.

Cover is provided with an earthing strip between cover and frame.

Ideal for wet areas.

KDVITWD3

Hinged cover square, water resistant



Build-in frame + tileframe + water resistant cable outlet + alu frame + tube cover key

Max. load 2000 N (small surface area)

Max. load 3000 N (large surface area)

Active condition IP 23

Non-active condition IP 53

Depth of floor covering Max. 26 mm

Standard finish Stainless Steel 304

HD	Reference	↑ mm	↔ mm	↔ mm	↔ mm	kg/ piece	📦	Stock	Unit
-	KDVITWD3	-	267		267	3.800	1	X	piece

Tested to EN 50085-2-2.

Hinged cover for 3 compartments.

Can be leveled by adjusting 4 bolts on included alu-frame NEOT3.

Cover can be mounted into cover frame in 1 direction.

Hinged cover is provided with a watertight cable exit and an aluminium screwcover.

This can be extended with a cable exit tube (KUWDT) which guarantees watertightness when in use.

Hinged cover is provided with an earthing strip between cover and frame.

Ideal for wet areas.

KDVITWDV3

Hinged cover square flat water resistant



Build-in frame + tileframe + water resistant cable outlet + alu frame + tube cover key

Max. load 2000 N (small surface area)

Max. load 3000 N (large surface area)

Active condition IP 23

Non-active condition IP 53

Depth of floor covering Flat

Standard finish Stainless Steel 304

HD	Reference	↓ mm	↔ mm	↔ mm	↔ mm	kg/ piece	Stock	Unit
-	KDVITWDV3	-	267		267	4.800	1	X piece

Tested to EN 50085-2-2.

Hinged cover for 3 compartments.

Can be leveled by adjusting 4 bolts on included alu-frame NEOT3.

Cover can be mounted into cover frame in 1 direction.

Hinged cover is provided with a watertight cable exit and an aluminium screwcover.

This can be extended with a cable exit tube (KUWDT) which guarantees watertightness when in use.

Hinged cover is provided with an earthing strip between cover and frame.

Ideal for wet areas.

BDRITWD3

Blind cover round, water resistant



Max. load	2000 N (small surface area)
Max. load	3000 N (large surface area)
Non-active condition	IP 53
Depth of floor covering	Max. 26 mm
Standard finish	Stainless Steel 304

HD	Reference	↑ mm	↔ mm	↔ mm	↔ mm	kg/ piece	📦	Stock	Unit
-	BDRITWD3	-	327		327	2.825	1	X	piece

Tested to EN 50085-2-2.

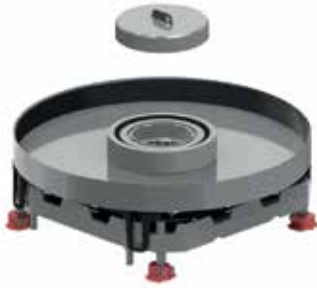
Depth of floor covering can be reduced by fitting packers OHER3.2 and/or OHER3.5.

Can be leveled by adjusting 4 bolts on included alu-frame NEOT3.
Mounting without hinges.

Ideal for wet areas.

DRITWD3

Cover round, watertight cable outlet



Build-in frame + tileframe + water resistant cable outlet + alu frame + tube cover key	
Max. load	2000 N (small surface area)
Max. load	3000 N (large surface area)
Active condition	IP 23
Non-active condition	IP 53
Depth of floor covering	Max. 26 mm
Standard finish	Stainless Steel 304

HD	Reference	↓ mm	↔ mm	↔ mm	↔ mm	kg/ piece	Stock	Unit
-	DRITWD3	-	327		327	3.350	1	X piece

Tested to EN 50085-2-2.

Cover for 3 compartment boxes.

Can be leveled by adjusting 4 bolts on included alu-frame NEOT3.

Mounting without hinges.

Cover is provided with a watertight cable exit and an aluminium screwcover. This can be extended with a cable exit tube (KUWDT) which guarantees watertightness when in use. Cover is provided with an earthing strip between cover and frame.

Ideal for wet areas.

KUWDT

Tube for water resistant cable exit



For water resistant covers

Standard finish

Aluminium

HD	Reference	↑ mm	↔ mm	→ ← mm	↔ mm	kg/ piece	📦	Stock	Unit
-	KUWDT	-			-	0.170	1	X	piece

Tested to EN 50085-2-2.

Can be screwed into alu-ring of cover.

The tube protects against ingress of water to a depth of 30mm.

The tube is covered with the aluminium screw-on cover of the cover.

This cover protects against ingress of water coming from all directions.

When not in use, the tube can be stored underneath the aluminium ring of the cover.

6 Floor installations

Covers for raised floor, not water resistant

SELECTION TABLE FOR FLOOR INSTALLATIONS

1. CONCRETE FLOOR SYSTEMS

Description	Floor trunking = Height 28 mm			Floor trunking = Height 38 mm			Floor trunking = Height 48 mm			
	2 / 3 compartments									
	Width	2	3	2	3	2	3	2	3	
Floor trunking with integrated ends	170	VGI28.170S1	VGI28.170S2	VGI38.170S1	VGI38.170S2	VGI48.170S1	VGI48.170S2	VGI48.170S1	VGI48.170S2	
	250	VGI28.250S1	VGI28.250S2	VGI38.250S1	VGI38.250S2	VGI48.250S1	VGI48.250S2	VGI48.250S1	VGI48.250S2	
	350	VGI28.350S1	VGI28.350S2	VGI38.350S1	VGI38.350S2	VGI48.350S1	VGI48.350S2	VGI48.350S1	VGI48.350S2	
Light duty floor trunking with integrated ends	170	VGLI28.170S1	VGLI28.170S2	VGLI38.170S1	VGLI38.170S2	VGLI48.170S1	VGLI48.170S2	VGLI48.170S1	VGLI48.170S2	
	250	VGLI28.250S1	VGLI28.250S2	VGLI38.250S1	VGLI38.250S2	VGLI48.250S1	VGLI48.250S2	VGLI48.250S1	VGLI48.250S2	
	350	VGLI28.350S1	VGLI28.350S2	VGLI38.350S1	VGLI38.350S2	VGLI48.350S1	VGLI48.350S2	VGLI48.350S1	VGLI48.350S2	
Accessories	Width	2	3	2	3	2	3	2	3	
	Rising bend	170	VSB28.170S1	VSB28.170S2	VSB38.170S1	VSB38.170S2	VSB48.170S1	VSB48.170S2	VSB48.170S1	VSB48.170S2
		250	VSB28.250S1	VSB28.250S2	VSB38.250S1	VSB38.250S2	VSB48.250S1	VSB48.250S2	VSB48.250S1	VSB48.250S2
	350	VSB28.350S1	VSB28.350S2	VSB38.350S1	VSB38.350S2	VSB48.350S1	VSB48.350S2	VSB48.350S1	VSB48.350S2	
End piece	170	VE28.170	VE38.170	VE48.170	VE28.170	VE38.170	VE48.170	VE28.170	VE38.170	
	250	VE28.250	VE38.250	VE48.250	VE28.250	VE38.250	VE48.250	VE28.250	VE38.250	
	350	VE28.350	VE38.350	VE48.350	VE28.350	VE38.350	VE48.350	VE28.350	VE38.350	

BDVKK2

Blind cover rectangular, universal



Color	Grey RAL 7011 / Black RAL 9011
Max. load	1500 N (small surface area)
Max. load	2000 N (large surface area)
Non-active condition	IP 30
Depth of floor covering	Min. 5 mm - Max. 12 mm
Thickness steel plate	3 mm
Standard finish	Polypropylene

HD	Reference	↓ mm	↔ mm	↔ mm	↔ mm	kg/ piece	📦	Stock	Unit
-	BDVKK2.5-7011	-	192		267	1.750	6	X	piece
-	BDVKK2.5-9011	-	192		267	1.750	6	X	piece

Tested to EN 50085-2-2.

Standard depth of floor covering is 5 mm and can be reduced by fitting packers OHEVB2.2 and/or OHEVB2.5.

Can be fixed through included universal clamps in raised floor panels.

- Cut-outs in the floor panels 270x195 mm (with a tolerance of -1 mm to +2 mm).
- Clamp range between 25 and 45 mm

For use in dry floors only.

KDVKK2

Hinged cover rectangular, universal



Build-in frame + hinged cover + cable outlet unit

Color	Grey RAL 7011 / Black RAL 9011
Max. load	1500 N (small surface area)
Max. load	2000 N (large surface area)
Active condition	IP 20
Non-active condition	IP 30
Depth of floor covering	Min. 5 mm - Max. 12 mm
Thickness steel plate	3 mm
Standard finish	Polypropylene

HD	Reference	↓ mm	↔ mm	→ ← mm	↔ mm	kg/ piece	📦	Stock	Unit
-	KDVKK2.5-7011	-	192		267	1.650	6	X	piece
-	KDVKK2.5-9011	-	192		267	1.650	6	X	piece

Tested to EN 50085-2-2.

Hinged cover for 2 compartments.

Standard depth of floor covering is 5 mm and can be reduced by fitting packers OHEV2.2 and/or OHEV2.5.

Can be fixed through included universal clamps in raised floor panels.

- Cut-outs in the floor panels 270x195 mm (with a tolerance of -1 mm to +2 mm).
- Clamp range between 25 and 45 mm

Hinged cover is provided with 1 cable outlet with integrated push lever and cable organiser.

Hinged cover must not be earthed.

For use in dry floors only.

KDVIRK2

Hinged cover rectangular, with border



Build-in frame with border + tileframe + cable outlet	
Max. load	2000 N (small surface area)
Max. load	3000 N (large surface area)
Active condition	IP 20
Non-active condition	IP 30
Depth of floor covering	Max. 26 mm
Standard finish	Stainless Steel 304

HD	Reference	↓ mm	↔ mm	↔ mm	↔ mm	kg/ piece	⊞	Stock	Unit
-	KDVIRK2	-	192		267	2.125	1	X	piece

Tested to EN 50085-2-2.

Hinged cover for 2 compartments.

Depth of floor covering can be reduced by fitting packers OHEV2.2 and/or OHEV2.5

Can be fixed through included universal clamps in raised floor panels.
 - Cut-outs in the floor panels 270x195 mm (with a tolerance of -1 mm to +2 mm).
 - clamp range between 25 and 45 mm

Hinged cover is provided with 1 cable outlet with integrated push lever and cable organiser.

Hinged cover is provided with an earthing strip between cover and frame.

For use in dry floors only.

BDVKK3

Blind cover square, universal



Color	Grey RAL 7011 / Black RAL 9011
Max. load	1500 N (small surface area)
Max. load	2000 N (large surface area)
Non-active condition	IP 30
Depth of floor covering	Min. 5 mm - Max. 12 mm
Thickness steel plate	3 mm
Standard finish	Polypropylene

HD	Reference	↑ mm	↔ mm	→ ← mm	↔ mm	kg/ piece	📦	Stock	Unit
-	BDVKK3.5-7011	-	267		267	2.300	6	X	piece
-	BDVKK3.5-9011	-	267		267	2.300	6	X	piece

Tested to EN 50085-2-2.

Standard depth of floor covering is 5 mm and can be reduced by fitting packers OHEVB3.2 and/or OHEVB3.5.

Can be fixed through included universal clamps in raised floor panels.

- Cut-outs in the floor panels 270x270 mm (with a tolerance of -1 mm to +2 mm).
- Clamping range 25 to 50 mm

For use in dry floors only.

KDVKK3

Hinged cover square, universal



Build-in frame + hinged cover + cable outlet unit

Color	Grey RAL 7011 / Black RAL 9011
Max. load	1500 N (small surface area)
Max. load	2000 N (large surface area)
Active condition	IP 20
Non-active condition	IP 30
Depth of floor covering	Min. 5 mm - Max. 12 mm
Thickness steel plate	3 mm
Standard finish	Polypropylene

HD	Reference	↓ mm	↔ mm	↔ mm	↔ mm	kg/ piece	📦	Stock	Unit
-	KDVKK3.5-7011	-	267		267	2.200	6	X	piece
-	KDVKK3.5-9011	-	267		267	2.200	6	X	piece

Tested to EN 50085-2-2.

Hinged cover for 3 compartments.

Depth of floor covering is standard 5 mm and can be reduced by fitting packers OHEV3.2 and/or OHEV3.5.

Can be fixed through included universal clamps in raised floor panels.

- Cut-outs in the floor panels 270x270 mm (with a tolerance of -1 mm to +2 mm).
- Clamping range 25 to 50 mm

Hinged cover is provided with 2 cable outlets with integrated push lever and cable organiser.

Hinged cover must not be earthed.

For use in dry floors only.

KDVIRK3

Hinged cover square, with border



Build-in frame with border + tileframe + cable outlet

Max. load	2000 N (small surface area)
Max. load	3000 N (large surface area)
Active condition	IP 20
Non-active condition	IP 30
Depth of floor covering	Max. 26 mm
Standard finish	Stainless Steel 304

HD	Reference	↑ mm	↔ mm	→ ← mm	↔ mm	kg/ piece	📦	Stock	Unit
-	KDVIRK3	-	267		267	2.675	1	X	piece

Tested to EN 50085-2-2.

Hinged cover for 3 compartments.

Depth of floor covering can be reduced by fitting packers OHEV3.2 and/or OHEV3.5

Can be fixed through included universal clamps in raised floor panels.

- Cut-outs in the floor panels 270x270 mm (with a tolerance of -1 mm to +2 mm).
- Clamp range between 25 and 50 mm

Hinged cover is provided with 2 cable outlets with integrated push lever and cable organiser.

Hinged cover is provided with an earthing strip between cover and frame.

For use in dry floors only.

BDRKK3

Blind cover round, universal



Color	Grey RAL 7011 / Black RAL 9011
Max. load	1500 N (small surface area)
Max. load	2000 N (large surface area)
Non-active condition	IP 30
Depth of floor covering	Min. 5 mm - Max. 12 mm
Thickness steel plate	3 mm
Standard finish	Polypropylene

HD	Reference	↓ mm	↔ mm	↔ mm	↔ mm	kg/ piece	📦	Stock	Unit
-	BDRKK3.5-7011	-	327		327	2.400	6	X	piece
-	BDRKK3.5-9011	-	327		327	2.400	6		piece

Tested to EN 50085-2-2.

Standard depth of floor covering is 5 mm and can be reduced by fitting packers OHER3.2 and/or OHER3.5.

Can be fixed through included universal clamps in raised floor panels.

- Cut-outs in the floor panels diameter 330 mm (with a tolerance of -1 mm to +2 mm).
- Clamp range between 25 and 50 mm.

For use in dry floors only.

KDRKK3

Hinged cover round, universal



Build-in frame + hinged cover + cable outlet unit

Color	Grey RAL 7011 / Black RAL 9011
Max. load	1500 N (small surface area)
Max. load	2000 N (large surface area)
Active condition	IP 20
Non-active condition	IP 30
Depth of floor covering	Min. 5 mm - Max. 12 mm
Thickness steel plate	3 mm
Standard finish	Polypropylene

HD	Reference	↓ mm	↔ mm	→ ← mm	↔ mm	kg/ piece	📦	Stock	Unit
-	KDRKK3.5-7011	-	327		327	2.450	6	X	piece
-	KDRKK3.5-9011	-	327		327	2.450	6	X	piece

Tested to EN 50085-2-2.

Hinged cover for 3 compartments.

Depth of floor covering is standard 5 mm and can be reduced by fitting packers OHER3.2 and/or OHER3.5.

Can be fixed through included universal clamps in raised floor panels.

- Cut-outs in the floor panels diameter 330 mm (with a tolerance of -1 mm to +2 mm).
- Clamp range between 25 and 50 mm

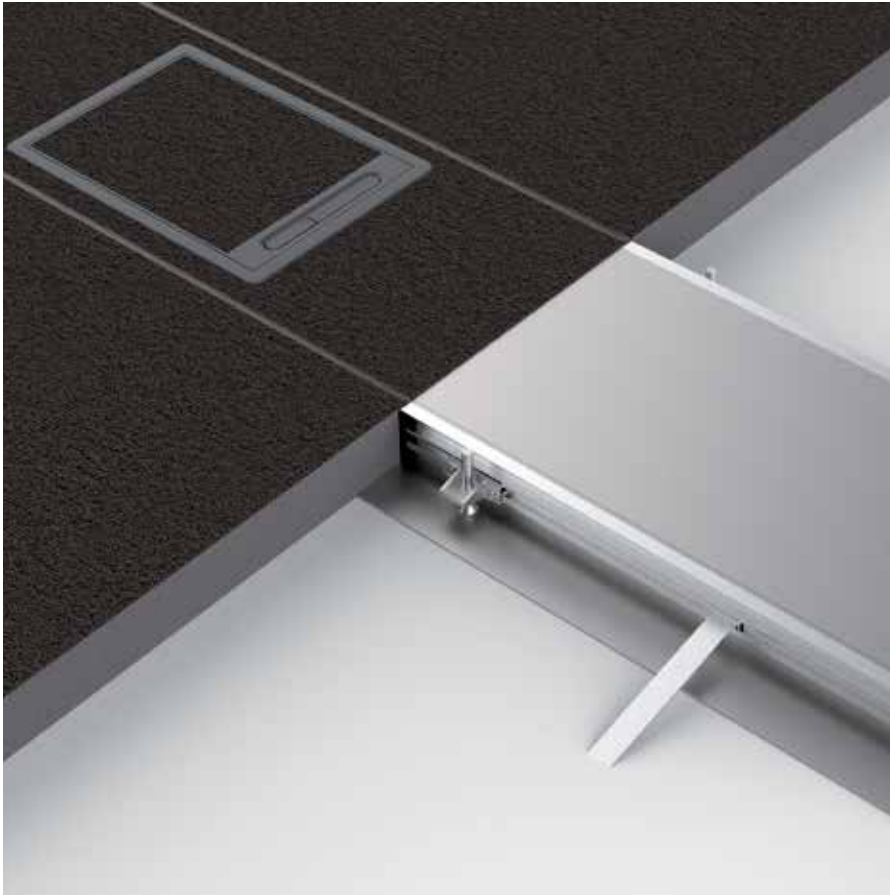
Hinged cover is provided with 2 cable outlets with integrated push lever and cable organiser.

Hinged cover must not be earthed.

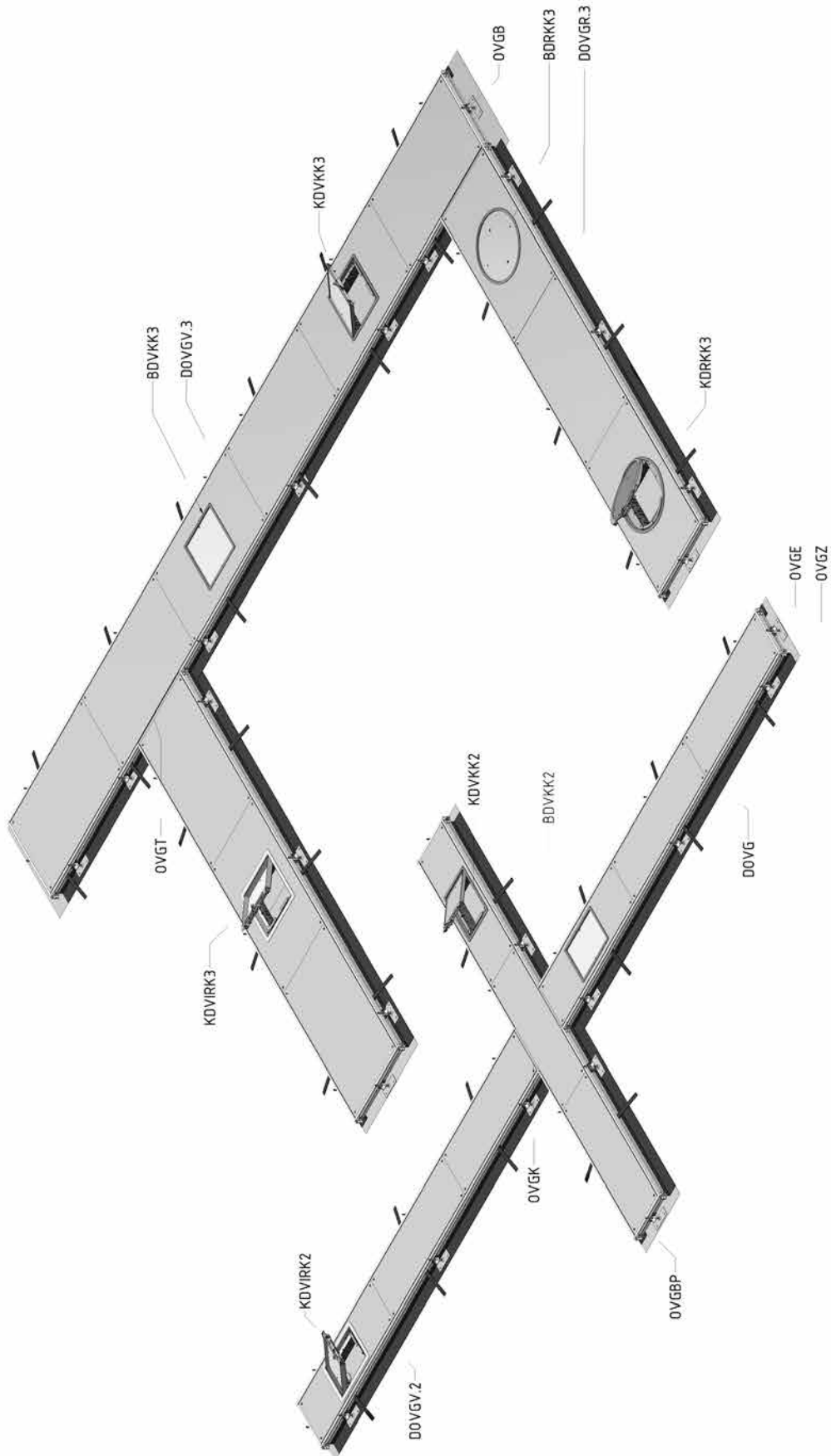
For use in dry floors only.

6

Floor installations



Flush floor trunking system



OVG

Open flush floor trunking



Ideal for frequent addition or removal of cables. For both new constructions and renovations.

To order till height 150 mm

HD	Reference	↑ mm	↔ mm	↔ mm	↔ mm	kg/m	📦	Stock	Unit
-	OVG250.3	-	250		2400	9.406	24	X	m
-	OVG350.3	-	350		2400	11.986	24	X	m
-	OVG450.4	-	450		2400	19.228	24	X	m

The technical information for this product can be found at the end of this chapter.

Tested according EN 50085-2-2.

- Used in screeded floors to be finished with carpet or vinyl.
- Levelling range: 55 to 110 mm.
- Hinged covers can be mounted from levelling height 70 mm.
- Universal side for all levelling heights.
- Straightforward assembly of accessories with plastic corner connector.

Each flush floor trunking comes standard with the following products:

- 2 Extrusion profile (OVGP)
- 2 Universal sides (OVGZ)
- 3 Cross bars (OVGTR)
- 2 Carpet borders (OVGTAP)*
- 3 Sealed covers (DOVG)
- 6 Levelling pieces
- 12 Taperedhead metal screws (ST48x25)
- 6 Screed anchor (OVGAN)
- 12 Tapered head bolts (BZ5.16)
- 6 Levelling screws
- 2 Baseplates (OVGVST)
- 4x ST48x22

* Gauge of OVG TAP depends on the gauge of the cover.

OVGBP

Bottom plate for OVG450.4



Standard finish

Pre-galvanised

HD	Reference	↑ mm	↔ mm	↔ mm	↔ mm	kg/ piece	📦	Stock	Unit
-	OVGBP250	-	380		1250	2.775	10	X	piece
-	OVGBP350	-	480		1250	3.506	10	X	piece
-	OVGBP450	-	580		1250	4.238	10	X	piece

To order per full packaging.

DOVG

Cover for flush floor trunking



Standard finish

Pre-galvanised

HD	Reference	↑ mm	↔ mm	↔ mm	↔ mm	kg/ piece	📦	Stock	Unit
-	DOVG250.3	-	250	3.00	800	4.725	1		piece
-	DOVG350.3	-	350	3.00	800	6.603	1		piece
-	DOVG450.4	-	450	4.00	800	12.218	1		piece

DOGV.2

Cover for flush floor trunking



For hinged cover KDVKK2 and KDVIRK2.

Standard finish

Pre-galvanised

HD	Reference	↑ mm	↔ mm	↔ mm	↔ mm	kg/ piece	📦	Stock	Unit
-	DOGV250.3.2	-	250	3.00	800	3.313	1		piece

Replace the clamps of the hinged cover by the enclosed clamps of the DOVG. Replace the cover where you want to mount the flush mounting unit with a cover for the relevant flush mounting unit. Place the flush mounting unit in the opening provided. Fasten the flush mounting unit by tightening the clamps.

DOGV.3

Cover for flush floor trunking



For hinged cover KDVKK3 and KDVIRK3.

Standard finish

Pre-galvanised

HD	Reference	↑ mm	↔ mm	↔ mm	↔ mm	kg/ piece	📦	Stock	Unit
-	DOGV350.3.3	-	350	3.00	800	4.783	1		piece
-	DOGV450.4.3	-	450	4.00	800	8.843	1		piece

Replace the clamps of the hinged cover by the enclosed clamps of the DOVG. Replace the cover where you want to mount the flush mounting unit with a cover for the relevant flush mounting unit. Place the flush mounting unit in the opening provided. Fasten the flush mounting unit by tightening the clamps.

DOVGR.3

Cover for flush floor trunking

For hinged cover KDRKK3.

Standard finish

Pre-galvanised



HD	Reference	↑ mm	↔ mm	↔ mm	↔ mm	kg/ piece	📦	Stock	Unit
-	DOVGR450.4.3	-	450	4.00	800	9.450	1		piece

Replace the clamps of the hinged cover by the enclosed clamps of the DOVG. Replace the cover where you want to mount the flush mounting unit with a cover for the relevant flush mounting unit. Place the flush mounting unit in the opening provided. Fasten the flush mounting unit by tightening the clamps.

OVGB

Bend for flush floor trunking

Connection angle (OVGHV) + end part (OVGE) + crossbar + 2 earth conductors (OVGEQ - OVGEQH).



HD	Reference	↑ mm	↔ mm	↔ mm	↔ mm	kg/ piece	📦	Stock	Unit
-	OVGB250.3	-	250		-	1.011	1	X	piece
-	OVGB350.3	-	350		-	1.307	1	X	piece
-	OVGB450.4	-	450		-	1.661	1	X	piece

The technical information for this product can be found at the end of this chapter.

OVGT

T-piece for flush floor trunking

2 connection angles (OVGHV) + crossbar + 2 earth conductor clamps (OVGEQH)



HD	Reference	↑ mm	↔ mm	↔ mm	↔ mm	kg/ piece	📦	Stock	Unit
-	OVGT250.3	-	250		-	0.466	1	X	piece
-	OVGT350.3	-	350		-	0.799	1	X	piece
-	OVGT450.4	-	450		-	1.073	1	X	piece

The technical information for this product can be found at the end of this chapter.

OVGK

Cross piece for flush floor trunking

4 connection angles (OVGHV) + 2 crossbars + 4 earth conductor clamps (OVGEQH)



HD	Reference	↑ mm	↔ mm	→ ← mm	↔ mm	kg/ piece	📦	Stock	Unit
-	OVGK250.3	-	250		-	1.166	1	X	piece
-	OVGK350.3	-	350		-	1.598	1	X	piece
-	OVGK450.4	-	450		-	2.146	1	X	piece

The technical information for this product can be found at the end of this chapter.

OVGE

End part for flush floor trunking

2 connection angles (OVGHV) + end part + bottom (OVGVST) + 2 earthing straps.



HD	Reference	↑ mm	↔ mm	→ ← mm	↔ mm	kg/ piece	📦	Stock	Unit
-	OVGE250.3	-	250		-	0.438	1	X	piece
-	OVGE350.3	-	350		-	0.518	1	X	piece
-	OVGE450.4	-	450		-	0.598	1	X	piece

The technical information for this product can be found at the end of this chapter.

For sealing the end of your open flush floor trunking.

These are slide into the conduit using the 2 plastic corner connectors. Level it so that the unit is properly supported. Connect the earthing cables.

KDVKK2

Hinged cover rectangular, universal



Build-in frame + hinged cover + cable outlet unit

Color	Grey RAL 7011 / Black RAL 9011
Max. load	1500 N (small surface area)
Max. load	2000 N (large surface area)
Active condition	IP 20
Non-active condition	IP 30
Depth of floor covering	Min. 5 mm - Max. 12 mm
Thickness steel plate	3 mm
Standard finish	Polypropylene

HD	Reference	↓ mm	↔ mm	→ ← mm	↔ mm	kg/ piece	📦	Stock	Unit
-	KDVKK2.5-7011	-	192		267	1.650	6	X	piece
-	KDVKK2.5-9011	-	192		267	1.650	6	X	piece

Tested to EN 50085-2-2.

Hinged cover for 2 compartments.

Standard depth of floor covering is 5 mm and can be reduced by fitting packers OHEV2.2 and/or OHEV2.5.

Replace the clamps of the hinged cover by the enclosed clamps of the DOVG.

Hinged cover is provided with 1 cable outlet with integrated push lever and cable organiser.

Hinged cover must not be earthed.

For use in dry floors only.

KDVIRK2

Hinged cover rectangular, with border



Build-in frame with border + tileframe + cable outlet

Max. load 2000 N (small surface area)

Max. load 3000 N (large surface area)

Active condition IP 20

Non-active condition IP 30

Depth of floor covering Max. 26 mm

Standard finish Stainless Steel 304

HD	Reference	↑ mm	↔ mm	→ ← mm	↔ mm	kg/ piece	📦	Stock	Unit
-	KDVIRK2	-	192		267	2.125	1	X	piece

Tested to EN 50085-2-2.

Hinged cover for 2 compartments.

Depth of floor covering can be reduced by fitting packers OHEV2.2 and/or OHEV2.5

Replace the clamps of the hinged cover by the enclosed clamps of the DOVG.

Hinged cover is provided with 1 cable outlet with integrated push lever and cable organiser.

Hinged cover is provided with an earthing strip between cover and frame.

For use in dry floors only.

KDVKK3

Hinged cover square, universal



Build-in frame + hinged cover + cable outlet unit

Color	Grey RAL 7011 / Black RAL 9011
Max. load	1500 N (small surface area)
Max. load	2000 N (large surface area)
Active condition	IP 20
Non-active condition	IP 30
Depth of floor covering	Min. 5 mm - Max. 12 mm
Thickness steel plate	3 mm
Standard finish	Polypropylene

HD	Reference	↓ mm	↔ mm	↔ mm	↔ mm	kg/ piece	📦	Stock	Unit
-	KDVKK3.5-7011	-	267		267	2.200	6	X	piece
-	KDVKK3.5-9011	-	267		267	2.200	6	X	piece

Tested to EN 50085-2-2.

Hinged cover for 3 compartments.

Standard depth of floor covering is 5 mm and can be reduced by fitting packers OHEV3.2 and/or OHEV3.5.

Replace the clamps of the hinged cover by the enclosed clamps of the DOVG.

Hinged cover is provided with 2 cable outlets with integrated push lever and cable organiser.

Hinged cover must not be earthed.

For use in dry floors only.

KDVIRK3

Hinged cover square, with border



Build-in frame with border + tileframe + cable outlet

Max. load	2000 N (small surface area)
Max. load	3000 N (large surface area)
Active condition	IP 20
Non-active condition	IP 30
Depth of floor covering	Max. 26 mm
Standard finish	Stainless Steel 304

HD	Reference	↑ mm	↔ mm	→ ← mm	↔ mm	kg/ piece	📦	Stock	Unit
-	KDVIRK3	-	267		267	2.675	1	X	piece

Tested to EN 50085-2-2.

Hinged cover for 3 compartments.

Depth of floor covering can be reduced by fitting packers OHEV3.2 and/or OHEV3.5

Replace the clamps of the hinged cover by the enclosed clamps of the DOVG.

Hinged cover is provided with 2 cable outlets with integrated push lever and cable organiser.

Hinged cover is provided with an earthing strip between cover and frame.

For use in dry floors only.

KDRKK3

Hinged cover round, universal



Build-in frame + hinged cover + cable outlet unit

Color	Grey RAL 7011 / Black RAL 9011
Max. load	1500 N (small surface area)
Max. load	2000 N (large surface area)
Active condition	IP 20
Non-active condition	IP 30
Depth of floor covering	Min. 5 mm - Max. 12 mm
Thickness steel plate	3 mm
Standard finish	Polypropylene

HD	Reference	↓ mm	↔ mm	↔ mm	↔ mm	kg/ piece	📦	Stock	Unit
-	KDRKK3.5-7011	-	327		327	2.450	6	X	piece
-	KDRKK3.5-9011	-	327		327	2.450	6	X	piece

Tested to EN 50085-2-2.

Hinged cover for 3 compartments.

Standard depth of floor covering is 5 mm and can be reduced by fitting packers OHER3.2 and/or OHER3.5.

Replace the clamps of the hinged cover by the enclosed clamps of the DOVG.

Hinged cover is provided with 2 cable outlets with integrated push lever and cable organiser.

Hinged cover must not be earthed.

For use in dry floors only.

OVGZ

Universal side for flush floor trunking



Color Black RAL 9011

Standard finish Polyvinyl chloride

HD	Reference	↑ mm	↔ mm	→ ← mm	↔ mm	kg/m	📦	Stock	Unit
-	OVGZ	-			2400	0.370	24		m

OVGP

Extrusion profile flush floor trunking



Standard finish Aluminium

HD	Reference	↑ mm	↔ mm	→ ← mm	↔ mm	kg/m	📦	Stock	Unit
-	OVGP4	-			2400	0.803	24		m

OVGTR

Crossbar for flush floor trunking



Additional support to mount the covers.

Standard finish Pre-galvanised

HD	Reference	↑ mm	↔ mm	→ ← mm	↔ mm	kg/ piece	📦	Stock	Unit
-	OVGTR250	-	250		-	0.430	10		piece
-	OVGTR350	-	350		-	0.616	10		piece
-	OVGTR450	-	450		-	0.804	10		piece

To order per full packaging.

OVGST

Bottom for flush floor trunking



HD	Reference	↓ mm	↔ mm	→ ← mm	↔ mm	kg/ piece	📦	Stock	Unit
-	OVGST	-			-	0.110	12		piece

To order per full packaging.

OVGAN

Screed anchor for flush floor trunking



Color black RAL 9011

Standard finish Polypropylene

HD	Reference	↓ mm	↔ mm	→ ← mm	↔ mm	kg/ piece	📦	Stock	Unit
-	OVGAN	-			-	0.010	10		piece

OVTAP

Carpet border for flush floor trunking



Color Black RAL 9011

Standard finish Polyvinyl chloride

HD	Reference	↓ mm	↔ mm	→ ← mm	↔ mm	kg/m	📦	Stock	Unit
-	OVTAP3	-			2400	0.090	24		m
-	OVTAP4	-			2400	0.100	24		m

OVTAP3 for OVG250.3 and OVG350.3.
OVTAP4 for OVG450.4.

OVGHV

Connection angle for flush trunking



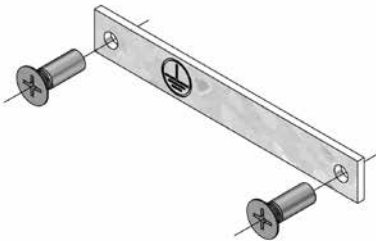
Color Black RAL 9011

Standard finish Polypropylene

HD	Reference	↕ mm	↔ mm	↔ mm	↔ mm	kg/ piece	📦	Stock	Unit
-	OVGHV	-				0.010	100		piece

OVGEQ

Earth conductor clamp for flush trunking



Standard finish

Pre-galvanised

HD	Reference	↕ mm	↔ mm	↔ mm	↔ mm	kg/ piece	📦	Stock	Unit
-	OVGEQ	-				0.020	50		piece

OVGEQH

Earth conductor clamp for flush trunking



Standard finish

Pre-galvanised

HD	Reference	↕ mm	↔ mm	↔ mm	↔ mm	kg/ piece	📦	Stock	Unit
-	OVGEQH	-				0.020	50		piece

SLOS

Bolt-in partition

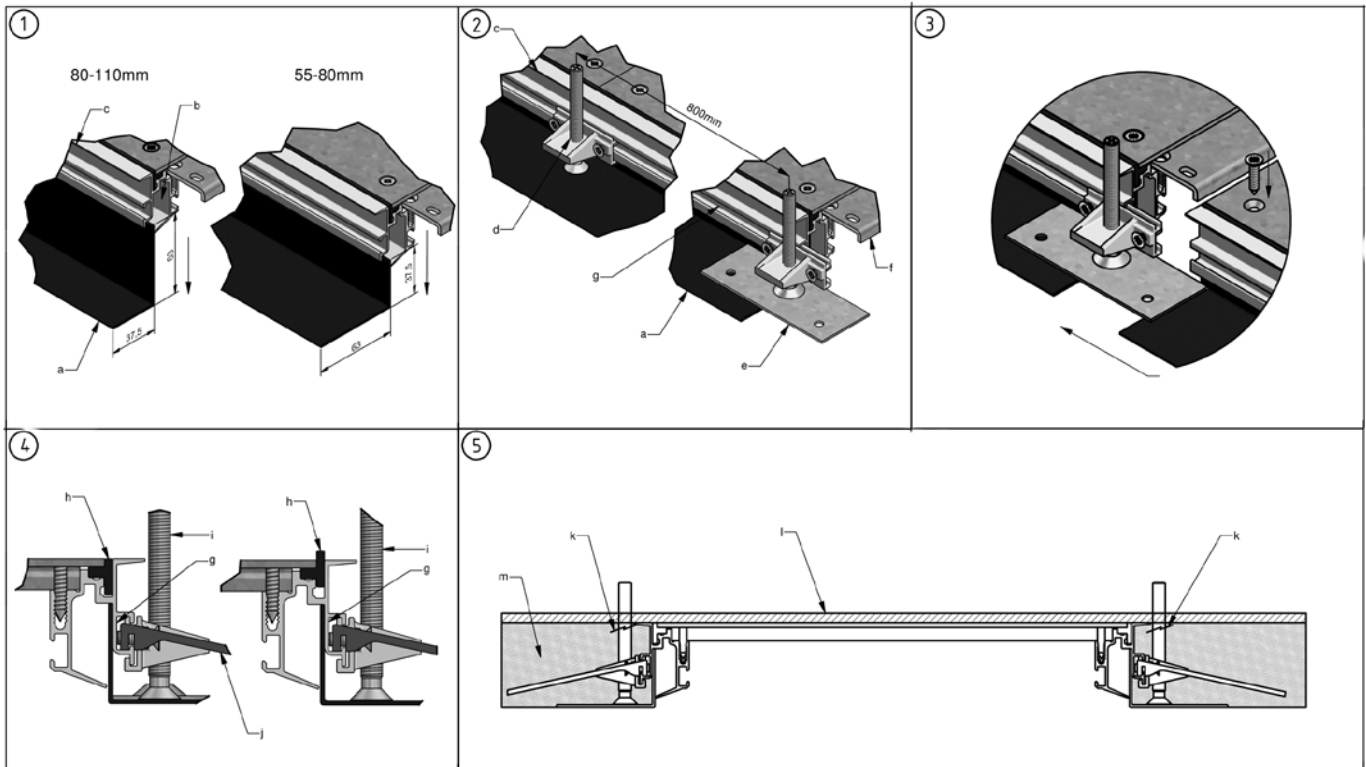


Standard finish	Pre-galvanised
Optional finish HD	Hot-dip galvanised
Optional finish PE	Coating

HD	Reference	↓ mm	↔ mm	↔ mm	↔ mm	kg/m	📦	Stock	Unit
HD	SLOS35	35			3000	0.330	150	X	m
HD	SLOS60	60			3000	0.511	120	X	m
HD	SLOS85	85			3000	0.680	60	X	m

OVG

Technical information



1) Slip the OVGZ (a) into the chamber (b) of the OVGPR (c). A levelling range of 55-80 mm is obtained by placing the OVGZ with its longest side on the ground. A levelling range of 80-110 mm is obtained by placing the OVGZ with its shortest side on the ground.

2) Mount 3 OGVSTs (d) per OVGPR (c). The 2 OGVST provided with a baseplate (e) are mounted at the end where an OVGTR (f) has been placed. These 2 OGVST must be positioned so that they overlap the duct with half of their length. The preassembled baseplates (e) must abut against the OVGZ (a). Mount the other OGVST at intervals of 800 mm. Extra OGVSTs can be easily added by hooking them into the slot provided (g) in the OVGPR.

3) The 2 OGVST which overlap the duct, will be used for coupling with the abutting length.

4) Determine how you will use the OVGTAPE 3 (h): flush mounted or not. Turn levelling screws (i) to the right for levelling up. Turn levelling screws (i) to the left for levelling down. Hook the OVGAN (j) into the slot (g) in the OVGPR. Make sure to seal up any openings with adhesive tape.

5) The system can now be filled with screed (m) and subsequently finished (l).

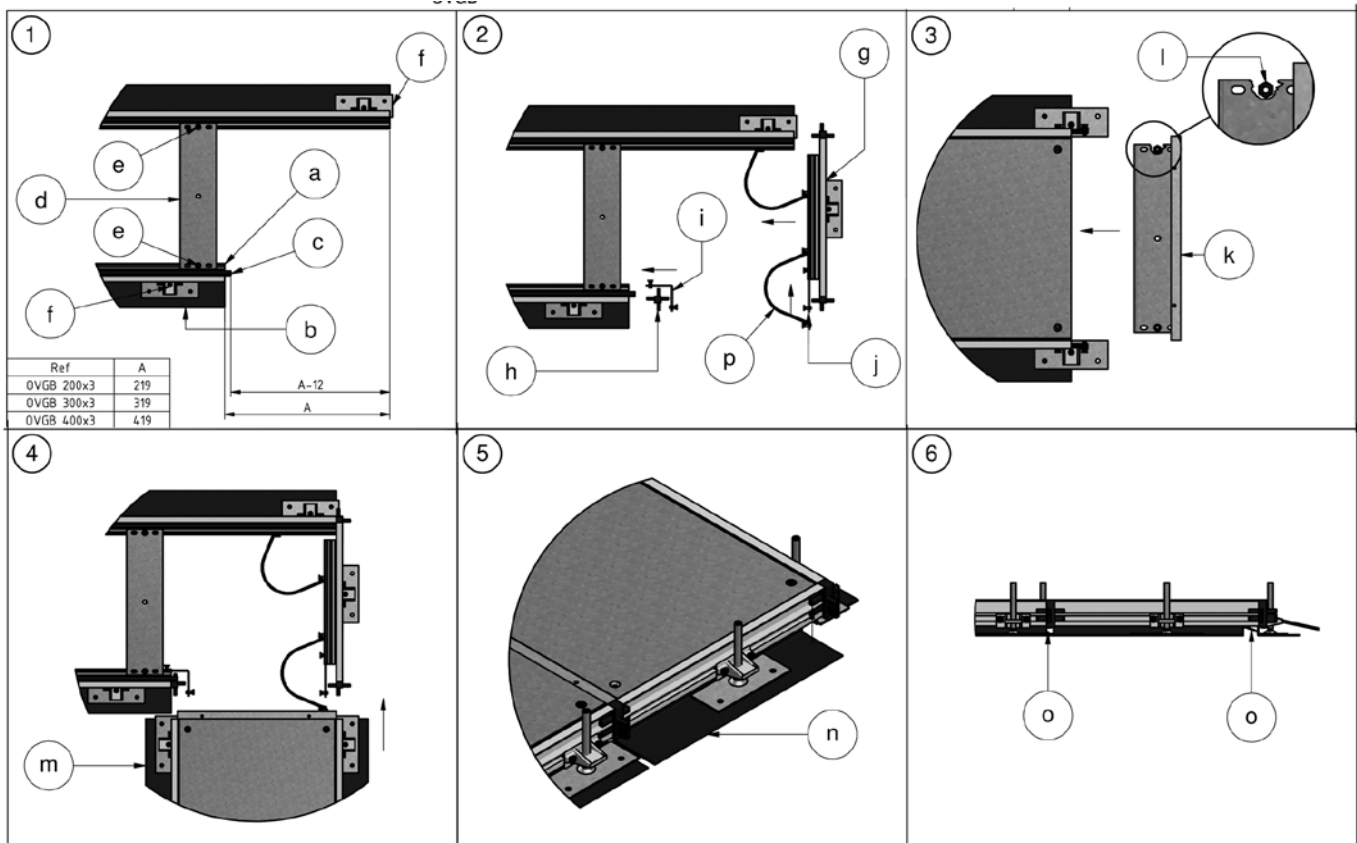
Remark

! To obtain a levelling height of less than 80 mm, shorten the levelling screws to below the top of the aluminium section (k) before pouring the screed (m).

! Note: when laying or removing cables we advise you not to remove the traverses between the aluminium sections.

OVGB

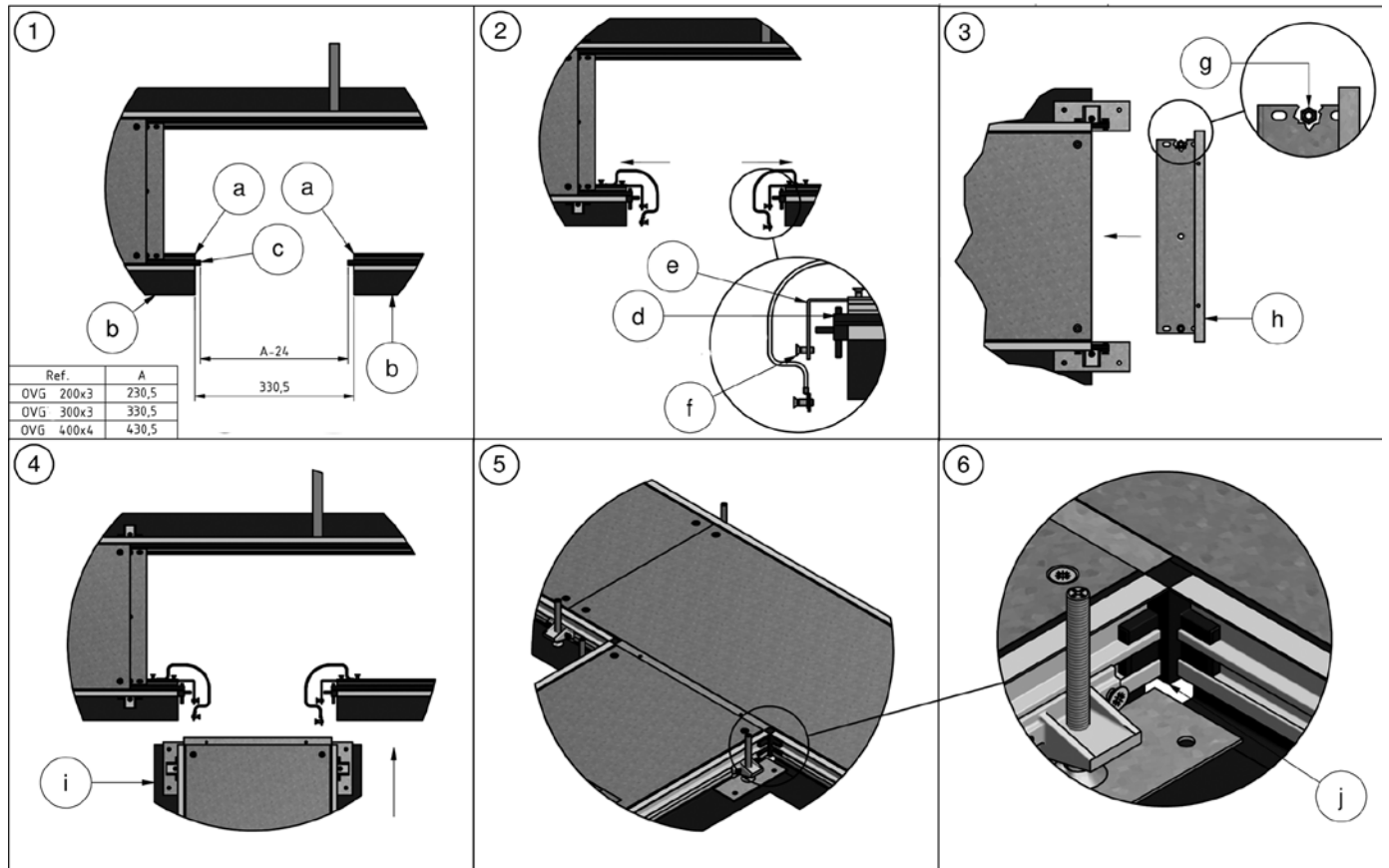
Technical information



1. Remove the length stated in the table from the aluminium profile (a) and the side section (b). Remove a section from the carpet surround that is 12 mm shorter. Move the traverse section (d) of the end section so that it is positioned between the two profiles and fasten with the two screws (e). Reposition the feet (f) as shown in the drawing.
2. Position the earthing strap under corner (i) along with the plastic corner connector (h) in the aluminium profiles of the section which you want to branch off from. Fasten the right earthing clamp (j) the plastic corner connector (h) and the 2 earthing cables (p) in the aluminium profile of the end section. Slide the end section (g) onto the section you want branch off from and connect 1 earthing cable.
3. Locate the traverse for the supports (k) under the cover of the section from which you are branching off. In order to hold the traverse section at the right level the M6 bolts supplied (l) must be positioned under the most central opening along both sides of the traverse section. Attach the top to the traverse section making use of the most central opening.
4. Slide the section you want to branch off from (m) on to the plastic corner connectors that you have attached to the section from which you want to branch off.
5. Cut to size a surplus section of the side (n) so this can be slid into the end section in order to close it off. Line everything up.
6. Seal off all openings (for example o) with adhesive tape.

OVGT

Technical information



1. Remove the length stated in the table from the aluminium profile (a) and the side section (b). Remove a section that is 24mm shorter from the carpet surround (c) so that the edges extend on both sides of the aluminium profile by 12mm.

2. Locate both earthing straps under corner (e) along with the 2 plastic corner connectors (d) in the aluminium profiles of the section from which you want to branch off. Fix in position the earth straps (e) using the M5 screws provided (f).

3. Position the traverse section (h) for the supports under the cover of the sections you want to branch off from. In order to hold the traverse section in the right position you must locate the M6 bolts provided at both sides in the most central hole of the traverse section. Attach the top to the traverse section making use of the most central opening of the traverse section.

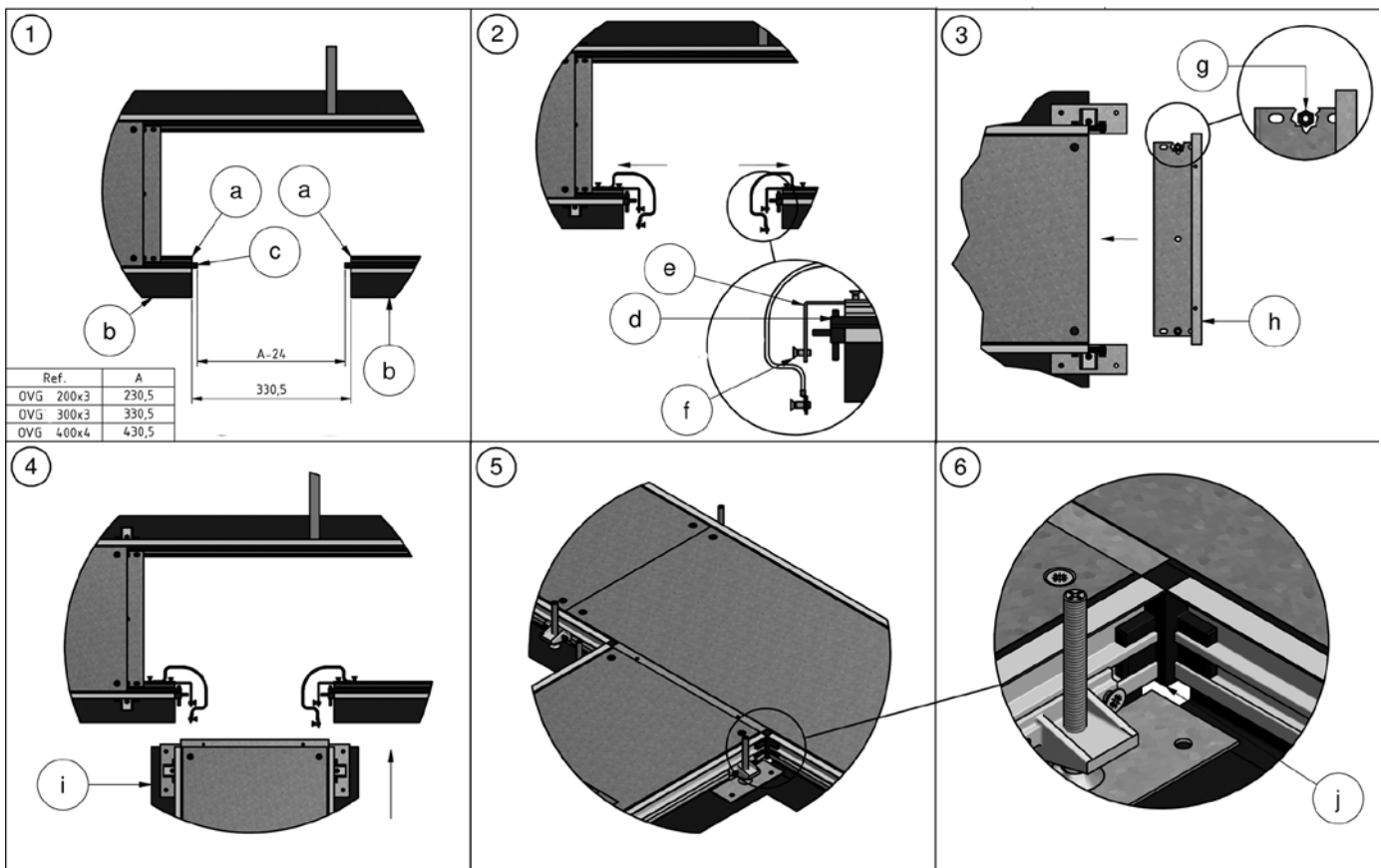
4. Slide the section which you want to branch off from (i) onto the plastic corner connectors and the earthing straps which you have attached to the section you want to branch off to.

5. Align all components until everything is in line.

6. Close up all openings (for example j) with adhesive tape.

OVGK

Technical information



1. Remove the length stated in the table from the aluminium profile (a) and the side section (b). Remove a section that is 24mm shorter from the carpet surround (c) so that the edges extend on both sides of the aluminium profile by 12mm.

2. Locate both earthing straps under corner (e) along with the 2 plastic corner connectors (d) and the 2 earthings cables (k) in the aluminium profiles of the section from which you want to branch off. Fix in position the earth straps (e) and the 2 earthings cables (k) using the M5 screws provided (f).

3. Position the traverse section (h) for the supports under the cover of the sections you want to branch off from. In order to hold the traverse section in the right position you must locate the M6 bolts provided at both sides in the most central hole of the traverse section. Attach the top to the traverse section making use of the most central opening of the traverse section.

4. Slide the section which you want to branch off from (i) onto the plastic corner connectors and the earthing straps which you have attached to the section you want to branch off to. Fix the earthing cables (k).

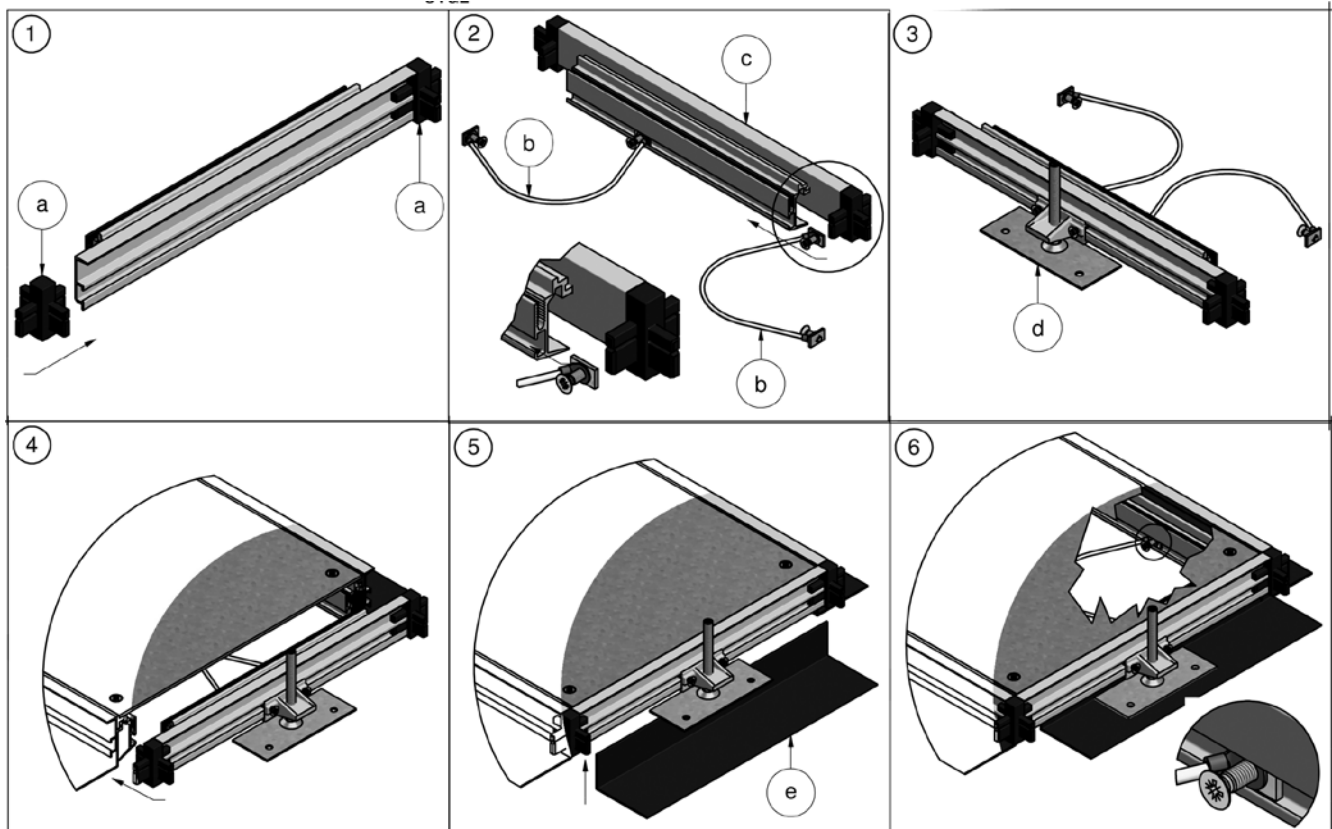
5. Follow steps 1-4 for the other side of the OVG where you want to branch off.

6. Align all components until everything is in line.

7. Close up all openings (for example j) with adhesive tape.

OVGE

Technical information



1. Locate the 2 corner connectors OVGHV (a) in the ends of the profile that is provided with the end section.
2. Attach one end of the earthing straps supplied (b) in the slot provided on the inside of the profile (c).
3. Mount a foot (d) in the middle of the profile of the end section.
4. Slide the end section into the length of the OVG which you want to close off.
5. Cut a side section (e) to size and attach this under the end section as this is done for the section runs.
6. Attach the other end of the earthing straps into the aluminium profiles of the section you want to close off.

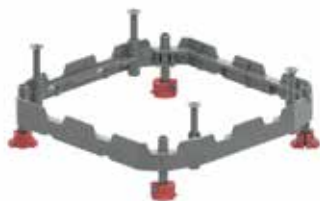
6 Floor installations



Accessories

NEOT

Supporting Alu-frame



Universal supporting frame.
Integrated in covers KDVIT, KDVITV3, DRIT3, DVITWD3, DVITWDV3, BDVITWD, KDVITWD3, KDVITWDV3, BDRITWD3, DRITWD3.

Standard finish Aluminium

HD	Reference	↑ mm	↔ mm	↔ mm	↔ mm	kg/ piece	📦	Stock	Unit
-	NEOT2	-			-	0.750	1		piece
-	NEOT3	-			-	0.750	1		piece

Set contains:

- Aluminium frame
- 4 extension nuts AM6.48
- 4 anchorfeet
- 4 long bolts M 8x70
- 4 short bolts M 8x45

Higher leveling range can be achieved per added set of 4 nuts AM6.48.

1 set = 92 - 145 mm.

2 sets = 140 - 193 mm.

3 sets = 188 - 241 mm.

4 sets = 236 - 289 mm.

NEOAVT

Anchor base NEO

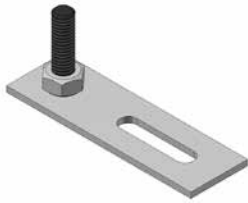


Standard finish Polypropylene

HD	Reference	↑ mm	↔ mm	↔ mm	↔ mm	kg/ piece	📦	Stock	Unit
-	NEOAVT	-			-	0.027	12		piece

NEOTVT

Support NEOT



Individual leveling foot for the NEOT Alu-rim.
Only to be used with raised floorsystems.

Standard finish

Pre-galvanised

HD	Reference	↕ mm	↔ mm	↔ mm	↔ mm	kg/ piece	📦	Stock	Unit
-	NEOTVT	-				0.030	4		piece

The technical information for this product can be found at the end of this chapter.
To order per full packaging.

AM

Extension Nut



Standard finish

Electro zinc-plated

HD	Reference	↕ mm	↔ mm	↔ mm	↔ mm	kg/ piece	📦	Stock	Unit
-	AM6.48	48				0.034	4	X	piece
-	AM6.96	96				0.067	4	X	piece

Can be added to the aluminium frame NEOT/NEO.

OHE

Packer floorcover



Packers can be added to level the floor finish in the covers.

Standard finish		Cardboard							
-----------------	--	-----------	--	--	--	--	--	--	--

HD	Reference	↕ mm	↔ mm	↔ ← mm	↔↔ mm	kg/ piece	📦	Stock	Unit
-	OHEV2.2	-			-	0.045	1		piece
-	OHEV2.5	-			-	0.200	1		piece
-	OHEV3.2	-			-	0.060	1		piece
-	OHEV3.5	-			-	0.250	1		piece
-	OHER3.2	-			-	0.060	1		piece
-	OHER3.5	-			-	0.250	1		piece
-	OHEVB2.2	-			-	0.070	1		piece
-	OHEVB2.5	-			-	0.174	1		piece
-	OHEVB3.2	-			-	0.098	1		piece
-	OHEVB3.5	-			-	0.244	1		piece

For 3 compartment square covers:

- OHEV3.2 and OHEV3.5

For 2 compartment rectangular covers:

- OHEV2.2 and OHEV2.5

For 3 compartment round covers:

- OHER3.2 and OHER3.5

For blind cover square:

- OHEVB3.2 and OHEVB3.5

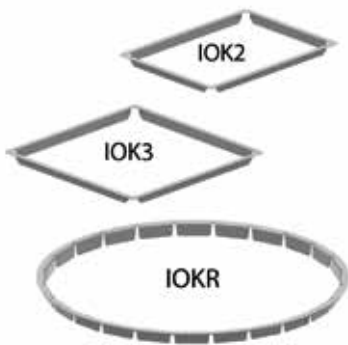
For blind cover rectangular:

- OHEVB2.2 and OHEVB2.5

Only for spaces with dry floor treatment.

IOK

Filler edge for cover



Standard finish		Stainless Steel 304							
-----------------	--	---------------------	--	--	--	--	--	--	--

HD	Reference	↕ mm	↔ mm	↔ ← mm	↔↔ mm	kg/ piece	📦	Stock	Unit
-	IOK2	16	213		288	0.179	4		piece
-	IOK3	16	288		288	0.198	4		piece
-	IOKR	16	347		347	0.294	4		piece

Stainless filler rim is advised to be used for oversized floor cut-outs between 272 and 275 mm (square and rectangular), between 197 and 200 mm (rectangular) and between diameter 332 and 335 mm (round).

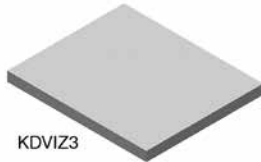
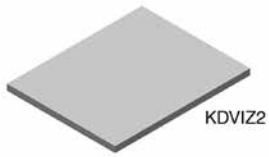
IOK2: Filler rim for covers BDVKK2, KDVKK2

IOK3: Filler rim for covers BDVKK3, KDVKK3

IOKR: Filler rim for covers BDRKK3, KDRKK3

KDVIZ

Kit for heavy load



Max. load 1,5 tons

Standard finish Polyvinyl chloride

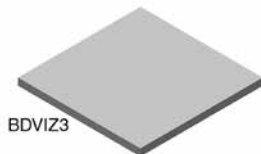
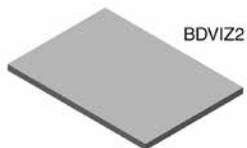
HD	Reference	↑ mm	↔ mm	→ ← mm	↔ mm	kg/ piece	📦	Stock	Unit
-	KDVIZ2	-	182	10.00	227	0.537	1	X	piece
-	KDVIZ3	-	227	15.00	257	1.138	1	X	piece

Tested according EN 50085-2-2.

- KDVIZ2 for KDVIT2 and KDVIRK2.
- KDVIZ3 for KDVIT3 and KDVIRK3.

BDVIZ

Kit for heavy load



Max. load 1,5 tons

Standard finish Polyvinyl chloride

HD	Reference	↑ mm	↔ mm	→ ← mm	↔ mm	kg/ piece	📦	Stock	Unit
-	BDVIZ2	-	182	10.00	257	0.608	1	X	piece
-	BDVIZ3	-	257	20.00	257	1.717	1	X	piece

Tested according EN 50085-2-2.

- BDVIZ2 for BDVITWD2.
- BDVIZ3 for BDVITWD3.

TSBU

Apparatus cup universal



Clippable system.

Color Black RAL 9011

Standard finish Polypropylene

HD	Reference	↓ mm	↔ mm	→ ← mm	↔ mm	kg/ piece	📦	Stock	Unit
-	TSBU	-			-	0.090	12	X	piece

To order per full packaging.

Tested to EN 50085-2-2.

Can be clipped and fixed in the cover frame at different heights.

Set containing:

- 2 screw-in cable restrainers

A bottom cover plate type ADPUB and cover plates ADPU, according to desired connections, can be added.

2 x 71mm module application is possible with 2 x APDU1.50.50. For use of 3 x 71mm module, please contact Vergokan.

Break away the extreme corners for mounting.

TSBU45

Apparatus cup 45



Clippable system.

Color Black RAL 9011

Standard finish Polypropylene

HD	Reference	↓ mm	↔ mm	→ ← mm	↔ mm	kg/ piece	📦	Stock	Unit
-	TSBU4.45.45	-			-	0.110	12	X	piece

To order per full packaging.

Tested to EN 50085-2-2.

For 4 clip devices type 45x45.

Can be clipped and fixed in the cover frame at different heights.

Set containing:

- Base cup
- Cover plate ADPU4.45.45
- 2 screw-in cable restrainers
- Divider SSBU

A bottom cover plate, type ADPUB, can be added.

Cap ADSU45.45 can be added.

Break away the extreme corners for mounting.

TSBU50

Apparatus cup 50



Clippable system.

Color Black RAL 9011

Standard finish Polypropylene

HD	Reference	↑ mm	↔ mm	→ ← mm	↔ mm	kg/ piece	📦	Stock	Unit
-	TSBU3.50.50	-			-	0.100	12	X	piece

To order per full packaging.
Tested to EN 50085-2-2.

For 3 clip devices type 50x50.
2 x 71mm module application is possible with 2 x APDU1.50.50. For use of 3 x 71mm module, please contact Vergokan
Can be clipped and fixed in the cover frame at different heights.

Set containing:

- Base cup
- Cover plate ADPU3.50.50
- 2 screw-in cable restrainers

A bottom cover plate, type ADPUB, can be added.
Break away the extreme corners for mounting.

TSBUD

Apparatus cup angular



Clippable system.

Color Black RAL 9011

Standard finish Polypropylene

HD	Reference	↑ mm	↔ mm	→ ← mm	↔ mm	kg/ piece	📦	Stock	Unit
-	TSBUD3.36ANGLE	-			-	0.120	12	X	piece

To order per full packaging.
Tested to EN 50085-2-2.

Can be clipped and fixed in the cover frame at different heights.

Set containing:

- Base cup
- Cover plate ADPUD3.36ANGLE

A bottom cover plate type ADPUB and 3 dataplates type IDP, can be added.
Break away the extreme corners for mounting.

TSB

Triple apparatus cup



For compact floor installations. Ideal for lower installation depths from 100mm. For lower installation depths use TSBL3.

Standard finish

Pre-galvanised

HD	Reference	↓ mm	↔ mm	↔ mm	↔ mm	kg/ piece	Stock	Unit
-	TSB3	-			-	0.688	5	X piece

The technical information for this product can be found at the end of this chapter.

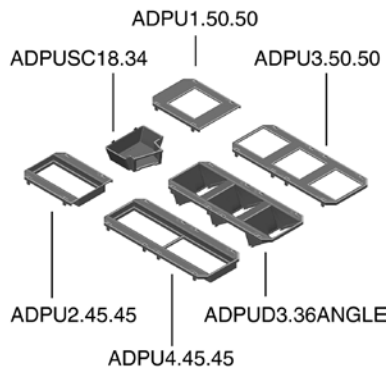
Tested according EN 50085-2-2.

For oblique mounting of clip devices 45.

- Standard 8 mounting positions.
- After removing the rectangular plate, max. 9 mounting positions.
- After removing 4 plates (push and turn away), Attema network port adapters can be mounted in the bottom.
- Fasten by tightening 2 pre-assembled screws with Pozi2 screwdriver.
- Earthing wire is included and can be connected to NEO floor box.

ADPU

Coverplate for TSBU



Color Black RAL 9011

Standard finish Polycarbonate

HD	Reference	↑ mm	↔ mm	↔ mm	↔ mm	kg/ piece	📦	Stock	Unit
-	ADPU1.50.50	-				0.010	12	X	piece
-	ADPU2.45.45	-				0.010	12	X	piece
-	ADPU3.50.50	-				0.010	12	X	piece
-	ADPU4.45.45	-				0.020	12	X	piece
-	ADPUD3.36ANGLE	-				0.010	12	X	piece
-	ADPUSC18.34	-				0.012	12	X	piece

To order per full packaging.
Tested to EN 50085-2-2.

- ADPU1.50.50 for 1 screw-in module 50x50.
- ADPU3.50.50: For use of 3 x 71mm module, please contact Vergokan.
- ADPU2.45.45 for 2 clip devices type 45x45.
- ADPU4.45.45 for 4 clip devices type 45x45.
- ADPUSC18.34 for quick connection. clippable to bottom cover plate ADPUB.
- ADPU1.50.50 and ADPU3.50.50: unused positions can be filled with blind caps, type ADSU50.50.
- ADPU2.45.45 and ADPU4.45.45: unused positions can be filled with blind caps, type ADSU45.45.

ADPUB

Baseplate for TSBU



To seal the open side of TSBU in high-voltage applications.

Color Black RAL 9011

Standard finish Polypropylene

HD	Reference	↑ mm	↔ mm	↔ mm	↔ mm	kg/ piece	📦	Stock	Unit
-	ADPUB	-				0.035	24	X	piece

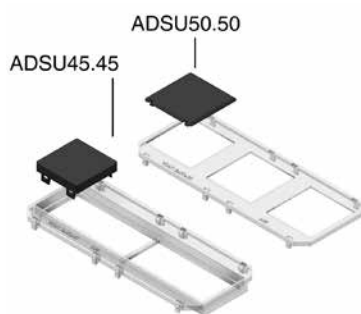
To order per full packaging.
Tested to EN 50085-2-2.

Provided with:

- Snap-off corners for cable exit.
 - A removable section for use with quick connector (in combination with ADPUSC18.34).
- Scored for easy separation.

ADSU

Cap



Color	Black RAL 9011
Standard finish	Polypropylene

HD	Reference	↓ mm	↔ mm	↔ ← mm	↔↔ mm	kg/ piece	📦	Stock	Unit
-	ADSU45.45	-	45		45	0.010	12	X	piece
-	ADSU50.50	-	50		50	0.010	12	X	piece

To order per 12 pieces.
Tested to EN 50085-2-2.

- ADSU45.45: for covering unused positions in ADPU2.45.45, ADPU4.45.45, TSBL3 et TSBL2.
- ADSU50.50: for covering unused positions in ADPU1.50.50 and ADPU3.50.50.
- Simple mounting and removing or re-positioning of new modules.
- Efficient protection of spare plates.

SSBU

Divider plate TSBU



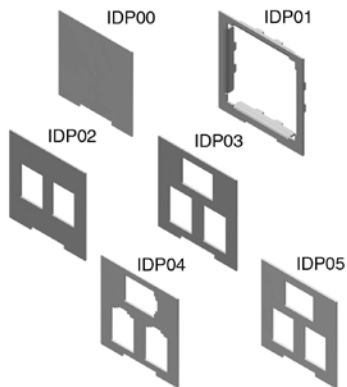
Color	Black RAL 9011
Standard finish	Polypropylene

HD	Reference	↓ mm	↔ mm	↔ ← mm	↔↔ mm	kg/ piece	📦	Stock	Unit
-	SSBU	-			-	0.010	12	X	piece

To order per full packaging.
Tested to EN 50085-2-2.

IDP

Fixing plate ADPUD



Color	Black RAL 9011
Standard finish	Electro zinc-plated

HD	Reference	↑ mm	↔ mm	→ ← mm	↔ mm	kg/ piece	📦	Stock	Unit
-	IDP00	-			-	0.020	6	X	piece
-	IDP01	-			-	0.020	6	X	piece
-	IDP02	-			-	0.020	6	X	piece
-	IDP03	-			-	0.020	6	X	piece
-	IDP04	-			-	0.020	6	X	piece
-	IDP05	-			-	0.020	6	X	piece

To order per 6 pieces.
Tested to EN 50085-2-2.

- IDP00: Blind plate
- IDP01: for 45 x 45 mm
- IDP02: for 2x 14,8 x 19,4 mm
- IDP03: for 3x 14,7 x 20,1 mm
- IDP04: for 3x RJ45
- IDP05: for 3x 14,6 x 19,3 mm

GBP

Blind plate



Color	Grey RAL 7011
Standard finish	Polypropylene

HD	Reference	↑ mm	↔ mm	→ ← mm	↔ mm	kg/ piece	📦	Stock	Unit
-	GBP	-			-	0.030	12	X	piece

To order per full packaging.
Tested according EN 50085-2-2.

TSBL

Low profile apparatus box



Completely clippable.

Color	Black RAL 9011
Standard finish	Polypropylene

HD	Reference	↓ mm	↔ mm	↔ mm	↔ mm	kg/ piece	📦	Stock	Unit
-	TSBL2	-			-	0.210	6	X	piece
-	TSBL3	-			-	0.275	3	X	piece

The technical information for this product can be found at the end of this chapter.

To order per full packaging.

Tested to EN 50085-2-2.

For oblique mounting of clip devices type 45.

TSBL2:

Up to 4 mounting positons.

Set contains base cup + 1 frame + 2 screw-in cable restrainers.

TSBL3:

Up to 8 mounting positons.

Set contains base cup + 2 frames + 4 screw-in cable restrainers.

ASTSBL

Adapter piece Low profile apparatus box



Adapter piece for angle arrangement

Standard finish	Polypropylene
-----------------	---------------

HD	Reference	↓ mm	↔ mm	↔ mm	↔ mm	kg/ piece	📦	Stock	Unit
-	ASTSBL	-			-	0.013	6	X	piece

To order per full packaging.

Adapter for the mounting of 3 single sockets in the TSBL that are used with right angled plugs.

MK

Silicon box



HD	Reference	↕ mm	↔ mm	→ ← mm	↔ mm	kg/ piece	📦	Stock	Unit
-	MK	-			-	0.520	1	X	piece

OV

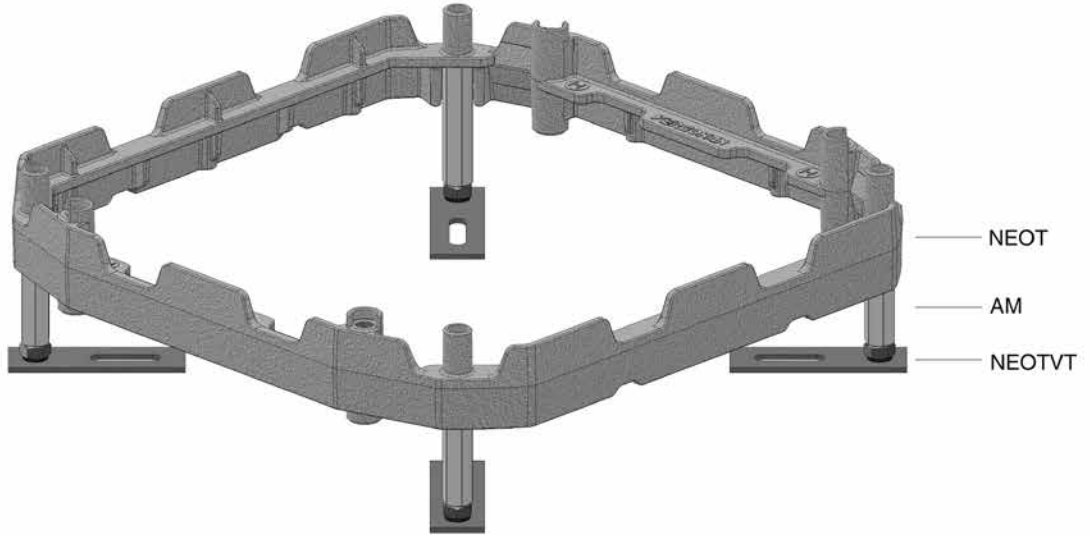
Degreaser



HD	Reference	↕ mm	↔ mm	→ ← mm	↔ mm	kg/ piece	📦	Stock	Unit
-	OV	-			-	0.400	1	X	piece

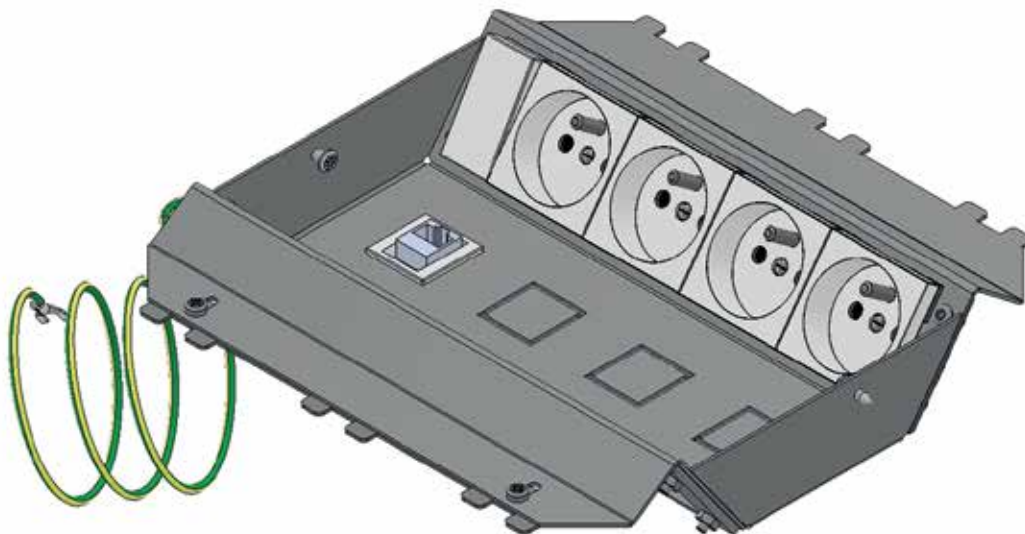
NEOTVT

Technical information



TSB

Technical information



TSBL

Technical information

